



X40 4-5 kW Multi Fuel Stove

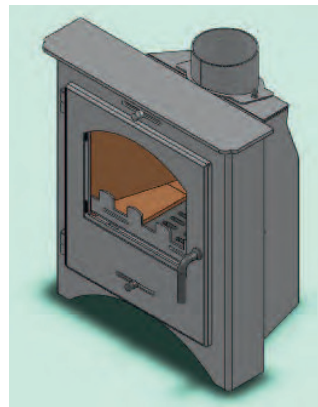
The Bohemia X40 gives a full size appearance from the front but its shallow depth allows it to be installed into small rooms or town houses where space may be at a premium. Load a 16" log and enjoy the fire burning brightly through the large glass window or burn smokeless fuel and feel the wonderful warm radiant and convected heat that this stove delivers.

Dimensions	: W545 x D292.5 x H606mm
Weight	: 66kg
Max log length	: 400mm (16")
Flue outlet	: 125mm top/rear
Efficiency wood	: 79.5%
Efficiency smokeless fuel	: 72.4%

X40 INSET 4.5 kW Multi Fuel Stove

The Bohemia X40 Inset has the same frontal appearance as the rest of the Bohemia family but can be installed directly into a standard 16" x 22" tapered fireback where an open fire was previously used. It can be fitted with or without a flue liner. Easy installation and improved fireplace efficiency can be achieved with the use of this stove.

Dimensions	: W545 x D342 x H606mm
Dimensions for fireback	: W381 (tapering to 254) x D220 x H535mm
Weight	: 55kg
Max log length	: 300mm (12")
Flue outlet	: 125mm top
Efficiency wood	: 78.2%
Efficiency smokeless fuel	: 78.9%



TECHNICAL SPECIFICATIONS



Model:

	30	40	40 Inset	40 Cube/ Panorama	50	60	60 Cube/ Panorama
Width	390	545	545	495	545	545	495
Height	521	606	606	537	606	606	537
Depth	290	292.5	342	266	332.5	387.5	375
Weight in kg Weight with cast door	51 58	66 72	55 61	66	72 78	83 89	77
Log Length	300	400	300	400	400	400	400
Nominal output kW	3	4	4.5	4	5	6	6
Range rating kW	3-4	4-5	4-5	4-5	5-6	6-8	6-8
125mm Flue Outlet (T=Top R=Rear)	T R	T R	T	T R	T R	T R	T R
Distance from rear of stove to centre of top flue outlet	126	126	105	124	126	126	126
Distance from floor to centre of rear flue outlet	438	520	N/A	449	520	520	449
Distance to flammable materials:							
From back	250	250	200	250	250	250	250
From side	400	400	200	400/500	400	400	400/500
From front	800	800	800	800	800	800	800
From top	275	275	275	275	275	275	275
Heating area in square metres	20-80	20-90	20-90	20-90	30-120	30-140	30-140
Efficiency: Wood	79.2%	79.5%	78.2%	79.5%	75.5%	80.4%	80.4%
Efficiency: Smokeless Fuel	75%	72.4%	78.9%	72.4%	70.2%	71%	71%
CO%: Wood	0.15	0.14	0.74	0.14	0.15	0.17	0.17
CO%: Smokeless Fuel	0.28	0.33	0.19	0.33	0.33	0.19	0.19

OPTIONS

Wooden Handle	✓	✓	✓	✓	✓	✓	✓
Decorative Cast Door	✓	✓	✓		✓	✓	
Log Store Stand: 200mm height				✓			✓
400mm height				✓			✓

All stoves certified to: CE EN13240 and EN13229 for Inset and all approved for smoke control areas

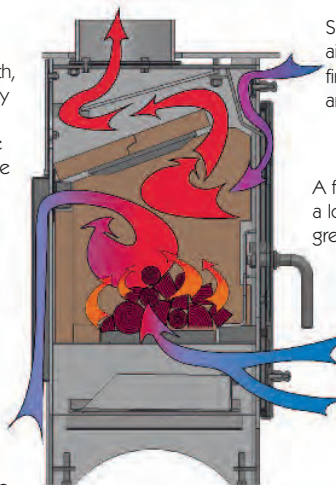


Wooden handle



Cast iron door

A twin baffle system increases the flame path, improving the efficiency and extracting further heat energy before the combustion gases leave the stove



Secondary air enters through the top air slider above the door, into the firebox, fuelling the fire and acting as an airwash to keep the glass clean

A fully Vermiculite lined fire chamber ensures a lovely flame pattern, high temperatures, greater efficiency and lower CO.

Primary air enters through the lower adjustable air slider and under the grate

Tertiary air enters at the rear of firebox which mixes with the gases generated during the burning process burning off further hydrocarbons

Adjustable feet ensure the stove can always be levelled on uneven hearths

