

Contura

A warm
welcome home



contura.eu





Contura

There is nothing cosier than a real fire.

Anyone who lives where there is an autumn, winter and spring knows this. But the heat from a fire is not just a cosiness factor that triggers deep feelings of safety and community. It is also a sensible and modern solution that maximises both your and nature's resources.



A stove from Contura will spread warmth and cosiness in your home.

Therefore you should choose carefully. We make Contura for those who appreciate good design, intelligent functions and a wide choice. We make stoves for those who choose with the heart and the head.



It is quite simply, quality of life.



Contents

Welcome to our warm homes!

Comfort with a clear conscience	8
Contura values	9
Be inspired by some warm, cosy homes	10

Choose the right stove

Which Contura are you?	39
Light with the environment in mind	40
Good characteristics	41

Freestanding Stoves

Contura 26	42
Contura 30	46
Contura 50	50
Contura 300	54
Contura 500 Style	62
Contura 600 Style	74
Contura 700	84
Contura 800 Style NEW!	90

Cassettes

Contura i4	104
Contura i5	106
Contura i6	108
Contura i7	109
Contura i8 NEW!	110

Inserts

Contura i31	114
Contura i41	116
Contura i51	118
Contura i61 NEW!	122

Accessories	126
Product Information	131
Dimension diagrams	145
Good heat retention	164
Efficient combustion	168
Lighting the right way	171

Comfort with a clear conscience

Heating your home with firewood saves you money and helps the environment too. Modern, efficient combustion technology reduces emissions of particulate matter and all the carbon dioxide that is produced is reabsorbed by new trees as they grow. Contura stoves are among the most efficient in the world with emission levels below Swedish and international limits.

Considering the environment in everything we do

Contura is constantly developing combustion technologies and designs to improve heat output. The efficiency of the combustion shows that a modern Contura converts most of the calorific value of the wood into heat. This means that very little smoke is emitted since the energy is used to generate heat in the room instead of hot smoke that is released outside.

Good circulation for efficient combustion

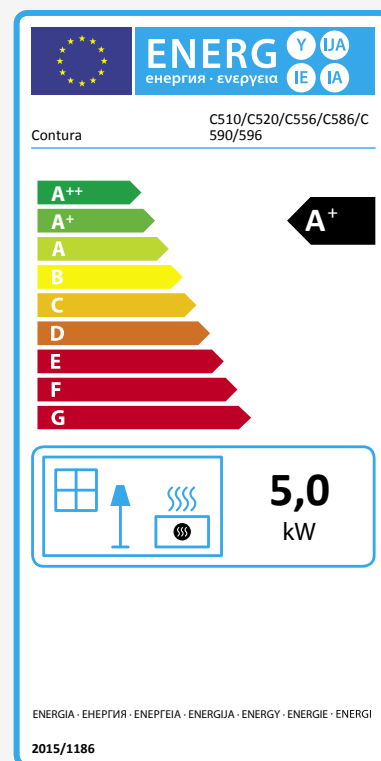
With a closed combustion system, combustion air is led to the stove through ducts from the chimney, external wall or floor. This ensures optimal, stable combustion that does not affect the ventilation of the building.

Less firewood

Did you know that a modern stove uses 50% less firewood, and reduces emissions by 90%? Turn to page 168 to find out more about efficient combustion.

Energy labelling

The European Union's Energy Labelling Directive establishes a framework to reduce adverse environmental impacts of energy-related products and helps you choose the most energy-efficient products. Woodburners in the A energy efficiency category offer high efficiency and thus low running costs. This is what Contura means by comfort with a clear conscience, both today and in the future.





Contura Values

Timeless design created for your lifestyle

Homes come in many styles and sizes. It's good to know that you'll always find something in our range with design and features that last a lifetime. Contura has a stove that suits your style, whoever you are.

The purest fire of world-class heating the natural way

You can light up your stove with a clear conscience, knowing that you are being kind to the environment and your wallet. Contura stoves are CO₂ neutral, using efficient combustion technology for excellent heating economy and minimal emissions.

The peace of mind that comes with Swedish quality

Contura stoves are Made in Sweden, in the most state-of-the-art stove manufacturing facilities in the world, with a focus on reduced environmental impact, respect for human rights, good business ethics and high quality standards at every stage of production.

Quality of life and comfort

Superior quality is a hallmark of Contura throughout its entire life, from production of a stove to its installation — and all the years it fills your home with light and heat. At Contura, we're proud of our tradition of innovative design and technology. The soul that we incorporate into all of our stoves stands for quality, assurance and home comfort.





Timeless design and a warm look

"There are lots of things that create comfort in a home. First and foremost ourselves of course, then everything that we like and enjoy. But the cherry on top is the stove. It has to be big and hot!"

Read more about Contura 690G Style on page 81.



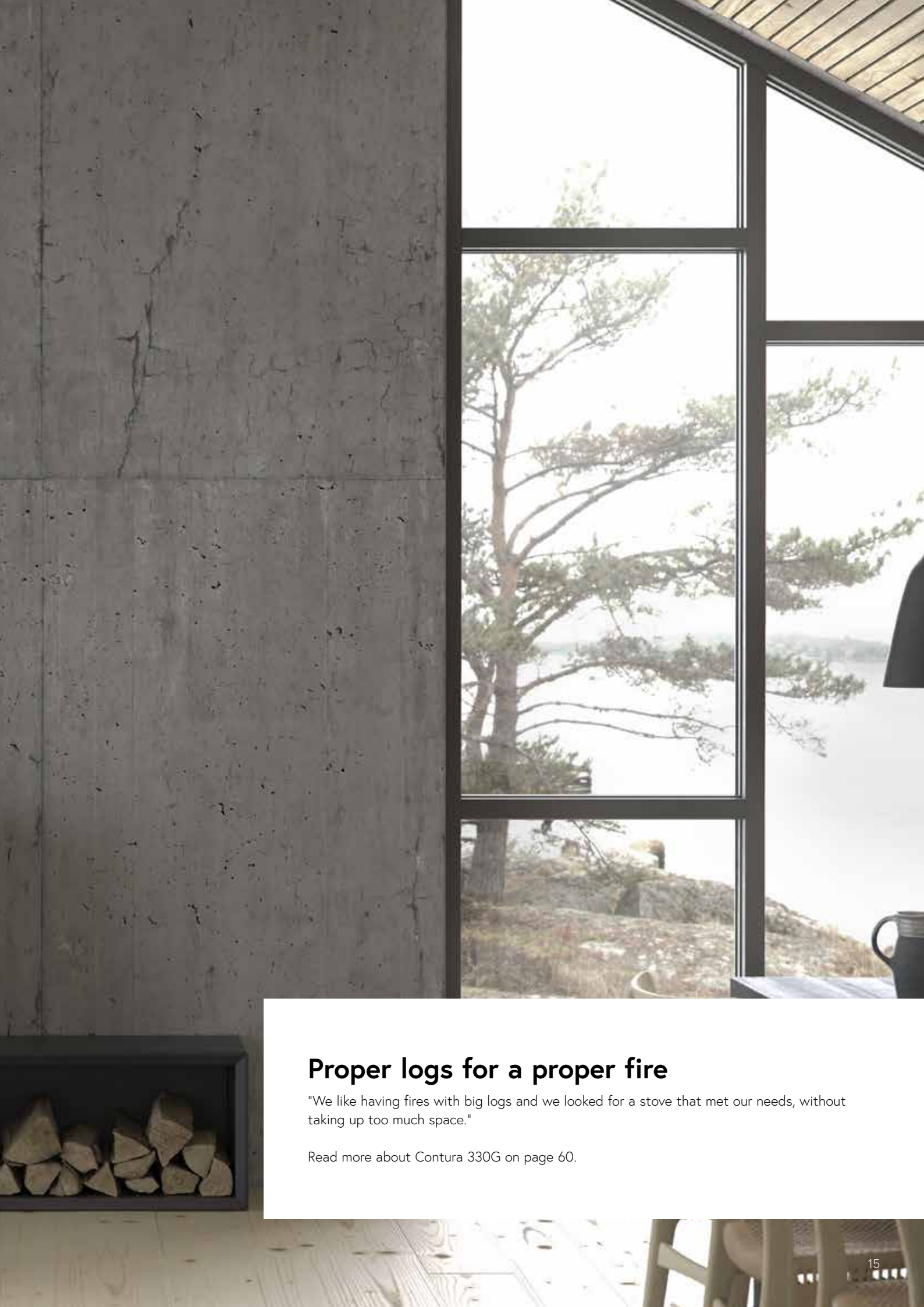
Majestic!

"We just love our stove! We love the majestic statement it makes in the room, opening the senses and awakening the emotions."

Read more about Contura 886G Style on page 97.







Proper logs for a proper fire

"We like having fires with big logs and we looked for a stove that met our needs, without taking up too much space."

Read more about Contura 330G on page 60.



A modern take on tradition

"The Artstone surround gives a soft impression which we fell for. The combination of stone, glass and flames is beautiful. Age old materials in a completely modern format."

Read more about Contura 610AG Style on page 77.





A room in harmony

"We chose soapstone because we wanted the room to stay warm longer. The size of the room made it rather difficult to find a good position for the stove, but it turned out really well in the end! Thanks to its compact design, the stove doesn't take up too much space."

Read more about Contura 720T on page 86.







More space for warmth

The firebox in the Contura 800 Style has been given an innovative new design to further boost the heat output. For added safety and convenience, the door is self-closing, but with the option of keeping it open during cleaning for example.

Read more about Contura 856T Style on page 94.



A painting we never get tired of

The cassette in our new chimney breast is like a brilliant and vivid painting. It is high up, so that the fire can be seen throughout the room. We never get tired of it, it is just as good after the fire has gone out and we sleep soundly in the lingering heat from the chimney breast.

Read more about Contura i4 Modern on page 104.







Heart of the home

The fireplace becomes the natural centrepiece of the room and creates a sense of harmony that warms both body and soul.

Read more about Contura i8G on page 110.



A tangible difference

Our stove insert really makes a difference to the heating, so we light a fire nearly every day. With the large glass, it was perfect for our functioning stove. A lot of people think that it has always been there.

Read more about Contura i5 on page 106.









Build in with variation

The i7 allows you to customise your fireplace exactly as you want it. Place it inside a fireplace that you design yourself.

Read more about Contura i7G on page 109.



Design to make time stand still

Timeless Scandinavian elegance to thrill and amaze. The Contura i61 is ideal for both contemporary and traditional interiors. The design is based on our popular i50 range, but has been updated to give it a sleeker, more compact format.

Read more about Contura i61A on page 124.





Active and playful

– that is what a home should be. The big, cosy fire gives off energy and retains the heat for a long time, thanks to the soapstone surround.

Read more about Contura i51T on page 120.





Here we have settled

– for a more relaxed life, where time can be taken for each activity. Such as enjoying a wonderful, warming fire for example.

Read more about Contura i51 on page 118.



Light with the environment in mind

Everything we do has an impact on the environment in some way. Today, we often have the opportunity to influence to what extent. One way to contribute to a reduced environmental impact when choosing a stove is to select a high-efficiency, modern clean-burning appliance with the latest combustion technology.

At Contura, we place stringent requirements on our manufacturing processes. This means our products can be recycled without the spread of toxic substances.

The requirements for efficient combustion are also high. It is during combustion that unhealthy particulates and hydrocarbons are formed. Contura stoves have a combustion efficiency that puts them below the permitted limits, provided that you light properly. Learn more about how to light effectively and with most efficiency at www.contura.eu. It is the best for you and the environment.

A wood burning stove is CO₂ neutral, because the carbon dioxide produced during the efficient combustion of bioenergy is taken up in the corresponding quantity as new trees are growing.

By lighting, you get a natural supporting heat in the house, which relieves the load on the house's main heating. It benefits both you and the environment.







Which Contura are you?

Contura is available in a number of models and sizes. Common to all of them is a generous area of glass that shows a lot of the fire as well as Swedish design, quality and manufacturing.

How large an area can the stove heat? What does the area where the stove is to be located look like? There are different factors that determine the choice of the size of the firebox, the heating capacity as well as the size of the stove itself. The differences between the stove series are in the shape of the casing and the size of the firebox. Each series has different variants and different stove casings, so that you can choose the exact characteristics you want from your stove. In addition, there are accessories for different purposes, for example, heat retention and wood storage.

When you are clear about what suits your needs, the most important thing remains: To choose a stove that is easy on the eye and that will be a dear friend to the home for many years to come. We are sure that you will find a favourite.

How much of the fire do you want to see?

Many, many Contura owners appreciate their stoves for one special property: It shows a lot of the fire. Large front glass and generous side glass means that you can see the fire from (nearly) every angle. Look out for our symbol for flame visibility! It indicates how much of the fire the model shows.



Only front glass



Front glass with narrow side glass



Front glass with large side glass



With a turntable the fire can be seen 360°



How to choose your stove

When you have made the decision to purchase a stove it is important to think carefully about which model it should be.

Size first

Size is the most important choice – Contura has sizes ranging from the small stove for a cottage to majestic installations for large reception rooms, and everything in-between.

Measure the space where the stove is to stand and check the distances to flammable materials. Calculate the size of the area that the stove is to heat. Now you know what size you should be looking for. The dimensions and heating capacities are given alongside each model.

Choose design

Stoves from Contura are appreciated because they show so much of the fire. This makes the stoves easy to position, even in small spaces. Thanks to the large glass areas, in most models the flames can be seen from at least three sides.

The stoves are available in most shapes, round, angular, oval, tall, low, narrow or wide. Have a good look! We are sure that you will find the one you want.

Different materials

The material makes up a large part of the stove's properties. The stoves heat up quickly and spread their heat only a few minutes after the fire has caught. When the fire has burned down it cools quite quickly.

The soapstone stoves have, as well as their natural good looks, the ability to retain heat over a long period. Heating up takes a little longer, but when the stone has been heated after a period of being lit the heat accumulates. When the fire burns low the stone is still very hot and it takes several hours to cool. The tiled stove gives the home a light, classical and homely style. Cast iron stoves are strongly robust. In our interpretation they also have a rugged modern style.

Personal style

With our accessories you can give the stove your own personal style and adapt it to your interests and needs.

You can, for example, choose the colour, a different top plate, door, log box, hotplate, fan, heat tank, damper, a connection to outdoor air, floor protector and much more. All accessories are made by Contura for Contura and fit the stoves perfectly.

Read more about accessories on page 44.

11 properties your fireplace needs

1. High flame visibility

Several of Contura's models have generous glass areas that display a lot of the fire. Our symbol for flame visibility indicates how much flame a particular model displays.

2. Cast iron door

In order to resist the stresses that arise with the large temperature variations, the door must be made from shape-retaining cast iron.

3. High level of efficiency

The efficiency is the relationship between the energy the stove gives off and the energy that is supplied in the form of logs. Contura fireplaces have an efficiency of up to 86 %.

4. Swedish made and guaranteed

Contura fireplaces are high quality Swedish products developed and manufactured by NIBE Stoves. With a five year stove body factory warranty and good service you can rest secure for the service life of the stove.

5. Clean Burning System

The combustion air is heated to extremely high temperatures and flushed out onto the inside of the glass, which prevents soot build-up. This ensures that the fire is always visible in the room.

6. Powerful convection

The cool room air is drawn into the stove from underneath, is heated and rises. Just a few minutes later the hot air flows out into the room.

7. Simple to use

Contura products are equipped with a single control for exact output regulation, which allows simple and precise combustion control. The door, grates and ash-pan are also easily accessible.

8. Ecodesign

Manufactured to the latest standards. Contura stoves already comply with the new Ecodesign standards due to be introduced in 2022.

9. Flexible

Contura is available in a number of variants and models. You can install a completely new stove, integrate with the existing chimney breast or stove and most importantly find your own style.

10. Heat retention

For maximum efficiency in heating, it is possible to choose different heat retention properties for several of the Contura models.

11. Many options

Supplement with one or more options such as a powerstone heat tank, soapstone top or finned grille.



Contura 26

Scandinavian style and continental charm

Are you looking for an excellent heat source? Contura 26 is for those of you who want to see a lot of the fire and want to be really warm and cosy. The stoves in the series have curved glass and the casing conceals a heat tank of efficient heat retaining powerstone.


Contura 26 is available with a gloss white tile casing and with heat retaining, naturally patterned soapstone. The heat tank is included in the low models and is optional for the tall models. Read more about the heat tank and efficiency test of Contura 26 on page 164.

Contura 26K 

The feeling of a tiled stove

This model provides the pleasant feeling of a tiled stove. Thanks to the large glass areas the flames can be seen from several directions. The heat tank in powerstone retains heat efficiently (included). Select a glass floor protector to enhance the light, clean impression.

Specifications

Output	3–9 kW
Nominal output	6 kW
Efficiency	79 %
Heats	up to 150 m ²
Height	1622 mm
Width	582 mm
Depth	462 mm
Weight (with heat tank)	360 kg
Colour	Black, Grey
Tiles	White, Sand
Max. log length	40 cm
Energy classification	

Accessories

Fan, extra heat tank, floor protector in glass or sheet metal, outside air connection.



Contura 26




Contura 26T 

Enjoy the heat and see the fire from several directions

The high model gives a real heating boost to the house. An extra heat tank gives a long cooling period (option).

Specifications

Output	3–9 kW
Nominal output	6 kW
Efficiency	79 %
Heats	up to 150 m ²
Height	1622 mm
Width	582 mm
Depth	462 mm
Weight	470 kg
Colour	Black, Grey
Max. log length	40 cm
Energy classification	

Accessories: Fan, extra heat tank, floor protector in glass or sheet metal, outside air connection.

**Specifications**

Output	3–9 kW
Nominal output	6 kW
Efficiency	79 %
Heats	up to 150 m ²
Height	1312 mm
Width	582 mm
Depth	462 mm
Weight	420 kg
Colour	Black, Grey
Max. log length	40 cm
Energy classification	A

Accessories: Fan, floor protector in glass or sheet metal, outside air connection.

Contura 26TL 

Spread the heat through the whole house

Contura 26T low has an integrated heat tank and can be equipped with a fan that effectively spreads the heat from room to room. The sturdy handle on Contura 26 makes the door easy to open.



reddot design award

Contura 30 Series

Prized for its design, loved for its warmth


This is a stove that makes an impression on the room, and lets the fire glow behind a generous expanse of glass. The tall models in the Contura 30 series can be supplemented with heat retaining powerstone. The low models are designed by Vitre design. The material choices combine steel, soapstone, glass and cast iron for both aesthetics and function.

Contura 35T 

Award Winning!

Boldness characterises the Contura 30 series. Contura 35T has been awarded the Red Dot Design Award for its design and excellent properties combining many good things: quick heating, good flame visibility and, if required, heat retention.

Specifications

Output.....	3-7 kW
Nominal output.....	5 kW
Efficiency.....	80 %
Heats.....	up to 120 m ²
Height.....	1600 mm
Width.....	550 mm
Depth.....	430 mm
Weight.....	250 kg
Weight (with heat tank).....	320 kg
Colour.....	Black, Grey
Max. log length.....	35 cm
Energy classification.....	

Accessories

Fan, heat tank (cannot be combined with fan), floor protector of glass or sheet metal, outside air connection.





Contura 30




Contura 35G 

Exclusive design with outstanding heat

Contura 35 is a new sibling of the Red Dot Design Award-winning Contura 35T. With a white steel surround, glass or cast iron door and glass top, it is an exclusive design that suits a number of environments. A generous powerstone heat tank (option) gives off comfortable heat for up to seven hours after the fire has gone out. More of the fire can be seen thanks to side glass areas. Our unique Clean Burning System keeps the glass clean.

Specifications


Output	3–7 kW
Nominal output	5 kW
Efficiency	80 %
Heats	up to 120 m ²
Height	1600 mm
Width	550 mm
Depth	430 mm
Weight	130 kg
Weight (with heat tank)	200 kg
Colour	Black, White
Max. log length	35 cm
Energy classification	

Contura 34T 


Standing out from the crowd

Contura 34T received the "Red Dot quality label for high design quality" for outstanding and innovative design in one of the most prestigious design competitions in the world. We are very proud of it – at least as proud as we are that the efficiency level is 80%. Enjoy a little more of the fire!

Specifications

Output	3–7 kW
Nominal output	5 kW
Efficiency	80 %
Heats	up to 120 m ²
Height	1600 mm
Width	550 mm
Depth	430 mm
Weight	320 kg
Colour	Black, Grey
Max. log length	35 cm
Energy classification	


Accessories: Fan, heat tank (cannot be combined with fan), floor protector of glass or sheet metal, outside air connection.

Contura 35 

Uncompromising raw power and a lot of fire

Contura 35 is a cousin of the Red Dot Design Award-winning Contura 35T. Instead of having a soapstone casing, Contura 35 is covered in sheet metal which gives it an austere, industrial feel. The fire has a lot of space behind a generous glass area.

Specifications

Output	3–7 kW
Nominal output	5 kW
Efficiency	80 %
Heats	up to 120 m ²
Height	1600 mm
Width	550 mm
Depth	430 mm
Weight	130 kg
Weight (with heat tank)	200 kg
Colour	Black, White
Max. log length	35 cm
Energy classification	

Accessories: Fan, heat tank (cannot be combined with fan), floor protector of glass or sheet metal, outside air connection.



Contura 30


Contura 50 Series

Cast iron forever and a day

Who doesn't love cast iron? The easily formed, tough and beautiful material has been used for so many appliances through our history. Things that should be really stable, strong and heavy are made of cast iron – manhole covers and Grandma's frying pan, for example. This is the tradition behind Contura's tough and modern cast iron stoves, designed by young Swedish designers. Whichever model you choose you get a small and robust stove that shows a lot of light and heats for a long, long time.

This versatile 5kW stove means you can have a fire with a low output in order to maintain an even and comfortable temperature in the room for a long period. The stoves have high capacities and can heat up to approx 120m² in favourable conditions.

Specifications

Output	3–7 kW
Nominal output	5 kW
Efficiency	81 %
Heats	up to 120 m ²
Height	630 mm
Width	495 mm
Depth	420 mm
Weight	124 kg
Colour	Black,
Max. log length	35 cm
Energy classification	

Accessories

Extra handle matt chrome or black, floor protector in black sheet metal, outside air connection.



Contura 50




Contura 52T 

Substantial stoves in cast iron and soapstone

The cast iron stove has a long tradition that has been given a contemporary interpretation. The 50 range has the same efficient firebox as all Contura stoves. With soapstone sides the heat is retained for a long, long time.

Specifications

Output	3–7 kW
Nominal output	5 kW
Efficiency	81 %
Heats	up to 120 m ²
Height	875 mm
Width	495 mm
Depth	420 mm
Weight	172 kg
Colour	Black
Max. log length	35 cm
Energy classification	


Accessories: Hotplate, extra handle in matt chrome, floor protector in black sheet metal, outside air connection.

Contura 51 

Timeless cast iron stove

A modern cast iron stove with convection air. It has four adjustable legs and is prepared for connection to outside combustion air.


Specifications

Output	3–7 kW
Nominal output	5 kW
Efficiency	81 %
Heats	up to 120 m ²
Height	825 mm
Width	495 mm
Depth	420 mm
Weight	128 kg
Colour	Black
Max. log length	35 cm
Energy classification	

Accessories: Extra handle matt chrome or black, floor protector in black sheet metal, outside air connection.



Contura 50

Contura 52 

Straight and discrete but warm and alive

This cast iron stove is designed by the Swedish design group, Myra. With its straight lines and covered sides it has a place in both contemporary and more rustic styles.

Specifications

Output	3–7 kW
Nominal output	5 kW
Efficiency	81 %
Heats	up to 120 m ²
Height	825 mm
Width	495 mm
Depth	420 mm
Weight	135 kg
Colour	Black
Max. log length	35 cm
Energy classification	

Accessories: Extra handle matt chrome or black, floor protector in black sheet metal, outside air connection.






Contura 300 Series

If you enjoy piecing things together...



The Contura 300 is the perfect choice if you know how you want your stove to look. Do you want it to be black or white? With a soapstone or artstone surround? A cast iron or glass door? What about log storage? There's a choice of three matching log boxes, and a drawer and other smart accessories too. The stoves in the Contura 300 range take logs up to 50 cm in length.

Contura 310G 

Stylish glass door

The generous glass door frames your fire beautifully. The door strikes a modern note and opens easily with a handle that doesn't get hot. The Contura 310G is available in black or white and can be combined with matching, freestanding log storage.

Specifications

Output	5–9 kW 
Nominal output	7 kW
Efficiency	77 %
Heats	up to 120 m ²
Height	850 mm
Width	750 mm
Depth	375 mm
Weight	130 kg
Colour	Black, White
Max. log length	50 cm
Energy classification	

Accessories

Black glass hearth plate, hotplate, log box, drawer and outside air connection.



Contura 300



Contura 310 🌞

Space for long logs

The stoves in the 300 range take logs up to half a metre in length. The black freestanding log boxes can be stood on their end or their side. The Contura 310 comes in black or white metal with a glass or cast iron door.

Specifications


Output	5–9 kW
Nominal output	7 kW
Efficiency	77 %
Heats	up to 120 m ²
Height	850 mm
Width	750 mm
Depth	375 mm
Weight	130 kg
Colour	Black
Max. log length	50 cm
Energy classification	A

Accessories: Black glass hearth plate, hotplate, log box, drawer, outside air connection.



Contura 300

Specifications

Output	5–9 kW
Nominal output	7 kW
Efficiency	77 %
Heats	up to 120 m ²
Height	850 mm
Width	750 mm
Depth	375 mm
Weight	175 kg
Colour	Black
Max. log length	50 cm
Energy classification	


Contura 320AG 

Velvety smooth

Artstone is smooth, polished concrete that's unique to Contura. Its light-grey hue conveys a tastefully contemporary vibe. The stone retains heat and you've a choice of glass or cast iron door.

Accessories: Black glass hearth plate, hotplate, log box, drawer, outside air connection.




Contura 320T 

Naturally heat retaining


Soapstone is a pure, natural material with individual veining and excellent heat retaining characteristics. A soapstone surround makes your stove unique.

The generous glass pane in the cast iron door gives a superb view of the fire and the handle remains comfortably cool. You might want to add a practical storage drawer.

Specifications

Output	5–9 kW
Nominal output	7 kW
Efficiency	77 %
Heats	up to 120 m ²
Height	850 mm
Width	750 mm
Depth	375 mm
Weight	190 kg
Colour	Black
Max. log length	50 cm
Energy classification	


Accessories: Black glass hearth plate, hotplate, log box, drawer, outside air connection.

Contura 320TG 

Natural and modern


The Contura 320TG combines heat retaining, natural-veined soapstone with the polished lustre of its contemporary glass door. The log box has ample space for large pieces of firewood.

Specifications

Output	5–9 kW
Nominal output	7 kW
Efficiency	77 %
Heats	up to 120 m ²
Height	850 mm
Width	750 mm
Depth	375 mm
Weight	190 kg
Colour	Black
Max. log length	50 cm
Energy classification	

Accessories: Black glass hearth plate, hotplate, log box, drawer, outside air connection.




Contura 320A 

Rustic style with cast iron door

The Contura 320A with its artstone surround and cast iron door combines contemporary style with a touch of rustic charm. The artstone surround has an even, grey hue and is naturally heat retaining. An open log box comes as standard and a storage drawer is available as an optional extra.


Specifications

Output	5–9 kW
Nominal output	7 kW
Efficiency	77 %
Heats	up to 120 m ²
Height	850 mm
Width	750 mm
Depth	375 mm
Weight	175 kg
Colour	Black
Max. log length	50 cm
Energy classification	

Accessories: Black glass hearth plate, hotplate, log box, drawer, outside air connection.






Contura 330G 

Mix and match with a log box

The Contura 330G firebox is at floor level. This stove can be assembled with and placed on three sizes of log box. Mix and match to create a stove to suit your home and wishes.

Specifications

Output	5–9 kW
Nominal output	7 kW
Efficiency	77 %
Heats	up to 120 m ²
Height	570 mm
Width	750 mm
Depth	375 mm
Weight	115 kg
Colour	Black
Max. log length	50 cm
Energy classification	

Accessories: Black glass hearth plate, hotplate, outside air connection.



Contura 300

Log storage the way you want it

The log box enhances the aesthetic appeal and practicality of Contura 300 series stoves to suit your wishes and your home.

The log box comes in three sizes and can be placed underneath (Contura 330G) or at the side of the stove. If you prefer concealed rather than open log storage, you can order a drawer for the box.




Contura 500 Style Series

Stylish stove draws all eyes to the fire

Viewed through generous glass doors and sidelights, the fire is quite the eye-catcher in the room. The Contura 500 Style stoves are not only attractive, they're excellent at heating too, providing efficient combustion and multiple features that make it safer and simpler to keep a fire burning. They come in a choice of materials and designs, along with heat storage, a fan, hotplate, log store, floor protector and other accessories.

Contura 500 Style has an elegant, aesthetically-pleasing design. It is also brimming with smart features, many borrowed from the larger Contura 600 Style range. Automatic start, a booster and a quiet-slide ash pan are new features that you'll love. The Contura 500 Style has also been upgraded with a new cast-iron and glass door, a new combustion damper design and an improved mechanism for door stop in open position.

Specifications

Output	3–7 kW
Nominal output	5 kW
Efficiency	80 %
Heats	up to 120 m ²
Height	1066 mm
Width	495 mm
Depth	440 mm
Weight	104 kg
Colour	Black, White
Max. log length	33 cm
Energy classification	

Accessories

Painted aluminum or glass top, fan, soft close door, turntable, hotplate, floor protector in glass or sheet metal, outside air connection.



Contura 500 Style



Contura 510 Style 🌟

Beloved base model with a new lease of life

Contura 510 is one of the world's best loved stoves. Style has given the compact, easy to position model a new lease of life with a slim door, larger glass and more efficient combustion.

Specifications

Output	3–7 kW
Nominal output	5 kW
Efficiency	80 %
Heats	up to 120 m ²
Height	1066 mm
Width	495 mm
Depth	440 mm
Weight	100 kg
Colour	Black, Grey
Max. log length	33 cm
Energy classification	A⁺


Accessories: Painted aluminum, glass (only for black) or soapstone top, soft close door, fan, turntable, hotplate, floor protector in glass or sheet metal, outside air connection.

Contura 510G Style 🌞

New, graphic styling with Style

Popular basic model with new, tough glass door and white exterior. Small, easy to position and very efficient.

Specifications

Output	3–7 kW
Nominal output	5 kW
Efficiency	80 %
Heats	up to 120 m ²
Height	1066 mm
Width	495 mm
Depth	440 mm
Weight	105 kg
Colour	White
Max. log length	33 cm
Energy classification	

Accessories: Painted aluminum or glass top, soft close door, fan, turntable, hotplate, glass or metal floor protector, outside air connection.



Contura 510G Style

Contura 510G Style 🌞

The new glass door gives a warm glow

The glass door gives the Contura 510 a modern facelift. The fire does not just heat, it lights up the room through the generous door.

Specifications

Output	3–7 kW
Nominal output	5 kW
Efficiency	80 %
Heats	up to 120 m ²
Height	1066 mm
Width	495 mm
Depth	440 mm
Weight	105 kg
Colour	Black
Max. log length	33 cm
Energy classification	

Accessories: Painted aluminum, glass or soapstone top, fan, soft close door, turntable, hotplate, floor protector in glass or sheet metal, outside air connection.






Contura 520 Style 🌞

With powerstone for maximum heating

Contura 520 Style is the product for those that want the most output from the smallest area. The 100 kg heat retaining powerstone top and convection damper give excellent heat retention and heat distribution.

Specifications

Output	3–7 kW
Nominal output	5 kW
Efficiency	80 %
Heats	up to 120 m ²
Height	1100 mm
Width	570 mm
Depth	477 mm
Weight	205 kg
Colour	Black
Max. log length	33 cm
Energy classification	


Accessories: Soft close door, turntable, hotplate, floor protector in glass or sheet metal, outdoor air connection.

Contura 520T Style 🍷

Clad in soapstone for all those cold days

The soapstone surround gives Contura 520T Style natural heat retaining properties. At the same time, its compact size means that it is easy to position in the home. The soapstone surround has natural variations and patterns, each stove is unique.

Specifications

Output	3–7 kW
Nominal output	5 kW
Efficiency	80 %
Heats	up to 120 m ²
Height	1100 mm
Width	566 mm
Depth	475 mm
Weight	221 kg
Colour	Black, Grey
Max. log length	33 cm
Energy classification	

Accessories: Fan, soft close door, turntable, hotplate, floor protector in glass or sheet metal, outdoor air connection.



Contura 500 Style

Contura 520S Style 🍷

The warm tones of Sandstone

The velvety, heat retaining sandstone brings a softness to Contura 520S Style. The sandstone surround has natural variations and patterns, each stove is unique.


Specifications

Output	3–7 kW
Nominal output	5 kW
Efficiency	80 %
Heats	up to 120 m ²
Height	1100 mm
Width	566 mm
Depth	475 mm
Weight	221 kg
Colour	Black, Grey
Max. log length	33 cm
Energy classification	

Accessories: Fan, soft close door, turntable, hotplate, floor protector in glass or sheet metal, outdoor air connection.






Contura 556 Style 

Delightful light, excellent features


Contura 556 Style is many people's favourite. It is easy to understand why – you get a lot in a compact format. Large, attractive glass that displays a lot of the fire, a lot of features and attractive design. Choose a cast iron or glass door.

Specifications

Output	3–7 kW
Nominal output	5 kW
Efficiency	80 %
Heats	up to 120 m ²
Height	1066 mm
Width	495 mm
Depth	440 mm
Weight	100 kg
Colour	Black, Grey
Max. log length	33 cm
Energy classification	

Accessories: Painted aluminum, glass (only for black) or soapstone top, fan, soft close door, turntable, hotplate, floor protector in glass or sheet metal, outside air connection.




Contura 556G Style 

Create your stove as you want it

Contura 556 Style can be varied almost infinitely. Choose a soapstone, glass or cast iron top. Choose a turntable or a hotplate and a fan for an extra boost to the heat flow.

Specifications

Output	3–7 kW
Nominal output	5 kW
Efficiency	80 %
Heats	up to 120 m ²
Height	1066 mm
Width	495 mm
Depth	440 mm
Weight	104 kg
Colour	Black, White
Max. log length	33 cm
Energy classification	


Accessories: Painted aluminum, glass or soapstone top, fan, soft close door, turntable, hotplate, floor protector in glass or sheet metal, outside air connection.

Contura 556T Style 


See a lot of the fire, enjoy the heat for a long time

Contura 556T Style has received new, even bigger side glass. With the soapstone surround you get the best of both worlds: the light of the fire is spread through the large glass and the naturally heat retaining soapstone gives you the best heating.

Specifications

Output	3–7 kW
Nominal output	5 kW
Efficiency	80 %
Heats	up to 120 m ²
Height	1083 mm
Width	542 mm
Depth	440 mm
Weight	175 kg
Colour	Black, Grey
Max. log length	33 cm
Energy classification	

Accessories: Fan, soft close door, turntable, hotplate, floor protector in glass or sheet metal, outdoor air connection.

Contura 586 Style 

Increase and spread the energy in the room

Contura 586 Style with generous side glass is raised on a pillar. Here the fire gets a lot of free space, especially if you choose a turntable and position the stove into the room slightly.

Specifications


Output	3–7 kW
Nominal output	5 kW
Efficiency	80 %
Heats	up to 120 m ²
Height	1143 mm
Width	495 mm
Depth	440 mm
Weight	104 kg
Colour	Black, Grey
Max. log length	33 cm
Energy classification	

Accessories: Painted aluminum, glass (only for black) or soapstone top, turntable, hotplate, floor protector in glass or sheet metal, outside air connection.



Contura 500 Style




Contura 596G Style 

Beloved classics now in white

The Contura 596 Style has long been one of our most popular stoves. It now has an exciting glass door, even larger glass side panels and white enamel. The top is made of white enamelled cast iron. Add powerstone for extra heat output.

Specifications

Output	3–7 kW
Nominal output	5 kW
Efficiency	80 %
Heats	up to 120 m ²
Height	1529 mm
Width	495 mm
Depth	440 mm
Weight	136 kg
Colour	White
Max. log length	33 cm
Energy classification	

Accessories: Extra heat tank with a convection damper, turntable, glass or metal floor protector and outside air connection.

Contura 586G Style 

Let the fire be seen


A stove on a pillar has many advantages. The height simplifies care of the fire while the light from the flames is raised. Choose a cast iron or glass door and from several good options.

Specifications

Output	3–7 kW
Nominal output	5 kW
Efficiency	80 %
Heats	up to 120 m ²
Height	1143 mm
Width	495 mm
Depth	440 mm
Weight	104 kg
Colour	Black
Max. log length	33 cm
Energy classification	

Accessories: Painted aluminum, glass or soapstone top, turntable, hotplate, floor protector in glass or sheet metal, outdoor air connection.



Contura 596 Style 

Enjoy the extra large expanse of glass

Contura 596 in black painted sheet metal has new larger side glass that display a lot of the fire. Choose from a painted aluminum, glass (only for black) or soapstone top. The soapstone top is a practical surface for keeping teapots warm.

Specifications

Output	3–7 kW
Nominal output	5 kW
Efficiency	80 %
Heats	up to 120 m ²
Height	1529 mm
Width	495 mm
Depth	440 mm
Weight	136 kg
Colour	Black, Grey
Max. log length	33 cm
Energy classification	



Accessories: Painted aluminum or soapstone top, fan, extra heat tank with convection damper*, turntable, floor protector in glass or sheet metal, outdoor air connection.
*Cannot be combined with a fan.



Contura 500 Style




Contura 590T Style 

The best heating and fire possible

The models in the Contura 590 Style series give lots of opportunities for personal choices. The basic stove is black painted sheet metal or with a soapstone surround. Then choose a turntable or heat tank, for example, for more functions.


Specifications

Output	3–7 kW
Nominal output	5 kW
Efficiency	80 %
Heats	up to 120 m ²
Height	1544 mm
Width	542 mm
Depth	463 mm
Weight	240 kg
Colour	Black, Grey
Max. log length	33 cm
Energy classification	



Accessories: Extra heat tank with convection damper, turntable, floor protector in glass or sheet metal, outdoor air connection.




Contura 596T Style 

A stove with extra everything, please!

Contura 596T Style is a stove for those who want it all – a lot of heat, lots of features, to see lots of the fire and to enjoy it for a long time. With an extra heat tank, soapstone surround, new larger side glass and a convection damper it has everything.

Specifications

Output	3–7 kW
Nominal output	5 kW
Efficiency	80 %
Heats	up to 120 m ²
Height	1544 mm
Width	542 mm
Depth	463 mm
Weight	220 kg
Colour	Black, Grey
Max. log length	33 cm
Energy classification	



Accessories: Extra heat tank with convection damper, turntable, floor protector in glass or sheet metal, outdoor air connection.

Create your stove as you want it

Contura 596 Style can be varied almost infinitely. Choose a soapstone, glass or painted aluminum top. Choose a turntable or a hotplate and a fan for an extra boost to the heat flow.

Specifications

Output	3–7 kW
Nominal output	5 kW
Efficiency	80 %
Heats	up to 120 m ²
Height	1529 mm
Width	495 mm
Depth	440 mm
Weight	136 kg
Colour	Black
Max. log length	33 cm
Energy classification	



Accessories: Painted aluminum, glass or soapstone top, extra heat tank with a convection damper*, turntable, glass or metal floor protector and outside air connection. *Cannot be combined with a fan.



Popular design, even smarter on the inside



ASF Automatic Start Function

ASF is an innovative feature that automatically controls the air through the grate during kindling. It means the door can be shut while getting the fire started and the stove therefore becomes completely independent of room air. It feels safer not having to leave the stove door open while the fire gets going. It is also perfect for modern houses with negative pressure. The function is unique to Contura and is patent pending.



SSA Silent Sliding Ash Tray

Beauty in the smallest detail we say – and mean it. The re-engineered design and damping function of the Contura 500 Style's ash pan ensure it slides quietly and softly during emptying.



RBF Refueling Boost Function

The boost function lets you "save" embers that have nearly died. You just open the handle on the left, new oxygen flows in from below, blowing life into the embers to set the new wood alight. Before long you're once again enjoying the warmth of a beautiful fire.



Contura 600 Style Series


Beauty from within, but seen on the outside

A fire is an eye catching centrepiece to a room. If there is the space and area, one should invest in a stove that stands out on its own, for the heat it provides but also for the design.

The stoves in the Contura 600 Style series have become better in every way: they heat better and have new and improved functions, such as autostart for fast lighting, silent ashbox and a boost function to awaken dying embers. But most of all they have been redesigned, with new surrounds, doors and colours.

As we all know, beauty comes from within, but it is also seen from the outside.

Specifications

Output	3–9 kW
Nominal output	6 kW
Efficiency	86 %
Heats	up to 150 m ²
Height	1260 mm
Width	540 mm
Depth	495 mm
Weight	120 kg
Colour	Black, White
Max. log length	36 cm
Energy classification	

Accessories

Top in painted aluminium, soapstone or glass, shelf or cover, log compartment or door, freestanding shaped log storage and heat retaining powerstone.



Contura 600 Style




Contura 610G Style 🏡

A new personal favourite

Contura 610 Style is the smallest model in the grown up 600 Style series. For example, you can choose a cast iron or glass door, surround in artstone or metal (black, grey or white), log compartment or door, front cover or warming shelf above the door and accessories such as a heat retaining powerstone, hotplate and fan. One attractive and practical new feature is log storage at the side of the stove.

Specifications

Output	3–9 kW
Nominal output	6 kW
Efficiency	86 %
Heats	up to 150 m ²
Height	1260 mm
Width	540 mm
Depth	495 mm
Weight	120 kg
Colour	Black, White
Max. log length	36 cm
Energy classification	

Accessories: top in painted aluminium, soapstone or glass, shelf or cover, log compartment or door, freestanding shaped log storage and heat retaining powerstone.

Contura 610 Style 

Cast iron door

Contura 610 Style with a cast iron door gives a rustic feeling. Combine with a log store, hotplate or powerstone for example, for a stove that suits your needs.

Specifications


Output	3–9 kW
Nominal output	6 kW
Efficiency	86 %
Heats	up to 150 m ²
Height	1260 mm
Width	540 mm
Depth	495 mm
Weight	120 kg
Colour	Black, Grey
Max. log length	36 cm
Energy classification	



Accessories: top in painted aluminium, soapstone or glass, shelf or cover, log compartment or door, freestanding shaped log storage and heat retaining powerstone.



Contura 600 Style

Contura 610AG Style 

With a velvet-smooth surface

Artstone is a unique surround for Contura stoves. The velvet finish concrete stone is a natural grey and with a glass door the stove gives a modern impression.

Specifications

Output	3–9 kW
Nominal output	6 kW
Efficiency	86 %
Heats	up to 150 m ²
Height	1260 mm
Width	540 mm
Depth	495 mm
Weight	176 kg
Colour	Black
Max. log length	36 cm
Energy classification	



Accessories: Shelf or cover, log compartment or door, freestanding shaped log storage and heat retaining powerstone.






Contura 620 Style 

Heating for everyone

Contura 620 Style is equipped with heat retaining powerstone and a convection damper as standard. You can also select a further 20 kg powerstone for even better heat storage (with front cover option). This means that you get even more heat out of your logs because the heat is retained in the stone. The model has a cast iron door. Select with or without a door on the lower compartment.

Specifications

Output	3–9 kW
Nominal output	6 kW
Efficiency	86 %
Heats	up to 150 m ²
Height	1290 mm
Width	580 mm
Depth	515 mm
Weight	250 kg
Colour	Black
Max. log length	36 cm
Energy classification	


Accessories: Powerstone (included in Contura 620 Style), soft close door. Additional 20kg powerstone with front cover option.

Contura 620T Style 🇸🇪

Naturally veined and heat retaining soapstone

Contura 620T has a heat retaining soapstone surround. If you choose the cover, instead of the warming shelf above the door, you can also order powerstone, which means that you can extract even more heat. The model has a cast iron door. Select with or without a door on the lower compartment.

Specifications

Output	3–9 kW
Nominal output	6 kW
Efficiency	86 %
Heats	up to 150 m ²
Height	1290 mm
Width	580 mm
Depth	515 mm
Weight	250 kg
Colour	Black, Grey
Max. log length	36 cm
Energy classification	



Accessories: Powerstone, soft close door.



Contura 600 Style

Contura 620TG Style 🇸🇪

A modern glass door

Equipped with a heat retaining soapstone surround, the Contura 620TG also has a modern glass door. If you choose the cover, instead of the warming shelf above the door, you can also order powerstone, which means that you can extract even more heat. Select with or without a door on the lower compartment.

Specifications


Output	3–9 kW
Nominal output	6 kW
Efficiency	86 %
Heats	up to 150 m ²
Height	1290 mm
Width	580 mm
Depth	515 mm
Weight	250 kg
Colour	Black
Max. log length	36 cm
Energy classification	



Accessories: Powerstone, soft close door.






Contura 690G Style 

With a lot of everything

The Contura 690 models give a majestic impression of a tiled stove with the advantages of a modern stove: it displays a proper fire high above the floor. This model has lots of everything: three different colours, three different tops, two different doors, two surrounds and several accessories.

Regardless of your favourite variant, you will enjoy many hours of cosiness and pleasant heat each time you light a fire.

Specifications

Output	3–9 kW
Nominal output	6 kW
Efficiency	86 %
Heats	up to 150 m ²
Height	1650 mm
Width	540 mm
Depth	495 mm
Weight	133 kg
Colour	Black, White
Max. log length	36 cm
Energy classification	


Accessories: painted aluminium, soapstone or glass top, freestanding, shaped wood storage, powerstone, fan. All models have a soft close door (standard).

Contura 690 Style 

Powerful with a cast iron door


The cast iron door gives the stove a rustic feel and you can choose between black or grey paint. If you like the cast iron door you will love the easy open handle that does not get hot when the stove is in use.

Specifications

Output	3–9 kW
Nominal output	6 kW
Efficiency	86 %
Heats	up to 150 m ²
Height	1650 mm
Width	540 mm
Depth	495 mm
Weight	133 kg
Colour	Black, Grey
Max. log length	36 cm
Energy classification	




Accessories: painted aluminium, soapstone or glass top, freestanding, shaped wood storage, powerstone, fan. All models have a soft close door (standard).

Contura 690G Style 

Timeless in white

With its modern yet timeless style, the tall model in white with a glass door works well with all types of interior design. You can choose between tops in glass, aluminium or soapstone, extra heat retaining powerstone and a freestanding log compartment that fits the shape of the stove.

Specifications

Output	3–9 kW
Nominal output	6 kW
Efficiency	86 %
Heats	up to 150 m ²
Height	1650 mm
Width	540 mm
Depth	495 mm
Weight	133 kg
Colour	Black, White
Max. log length	36 cm
Energy classification	




Accessories: painted aluminium, soapstone or glass top, freestanding, shaped wood storage, powerstone, fan. All models have a soft close door (standard).



Contura 690 Style



Contura 690AG Style 

With well thought out design and function

Artstone is a surround that is unique to Contura. A velvet-smooth, natural grey stone surrounds the whole stove with a storage compartment door as standard. The models in the tall 690 Style series are all equipped with a lower door and can be supplemented with heat retaining powerstone.

Specifications

Output	3–9 kW
Nominal output	6 kW
Efficiency	86 %
Heats	up to 150 m ²
Height	1650 mm
Width	540 mm
Depth	495 mm
Weight	240 kg
Colour	Black
Max. log length	36 cm
Energy classification	

Accessories: shaped log storage, powerstone, fan. All models have a lower section door (standard).



Contura 600 Style



Specifications

Output	3–9 kW
Nominal output	6 kW
Efficiency	86 %
Heats	up to 150 m ²
Height	1680 mm
Width	580 mm
Depth	515 mm
Weight	322 kg
Colour	Black, Grey
Max. log length	36 cm
Energy classification	

Accessories: powerstone, fan. All models have a lower door (standard).

Contura 690T Style

Extra heating with Soapstone

A larger stove has a greater output, that is, gives off more heat than a smaller one. There are also good ways of getting even more heat out of your stove. Soapstone is a naturally heat retaining material. With a soapstone surround the stove remains warm for several hours after the embers have died. The soapstone has unique natural veining, which means that no two stoves are the same.

Contura 700 Series

Grandeur that takes up little space

The Contura 700 series is characterised by a modern soft-lined and narrow shape that makes it easy to position. There are many series variations, choose with or without side glass, high or low base, pillars and several exciting casing materials. Of course, you can choose heat retaining powerstone, storage door in the same material as the stove casing and much more. The door's large expanse of glass does the fire justice.

Contura 710 is a neat stove with an angular shape that makes it very easy to position.

Specifications

Output	3–7 kW
Nominal output	5 kW
Efficiency	80 %
Heats	up to 120 m ²
Height	1151 mm
Width	459 mm
Depth	372 mm
Weight	105 kg
Colour	Black, Grey
Max. log length	30 cm
Energy classification	A ⁺

Accessories


Soft-close storage door, floor protector in glass or sheet metal, outside air connection.





Contura 700




Contura 720T 

A beautiful and efficient heat source

With a surround made of heat retaining soapstone, the Contura 720T is a beautiful and efficient heat source.

Specifications

Output	3–7 kW
Nominal output	5 kW
Efficiency	80 %
Heats	up to 120 m ²
Height	1179 mm
Width	556 mm
Depth	407 mm
Weight	195 kg
Colour	Black, Grey
Max. log length	30 cm
Energy classification	


Accessories: Soft close door, glass or metal floor protector, outside air connection.

Contura 750 

Let the stove shine

A high mounted firebox and very generous glass areas make this stove the burning heart of your home, wherever it is.


Specifications

Output	3–7 kW
Nominal output	5 kW
Efficiency	80 %
Heats	up to 120 m ²
Height	1151 mm
Width	459 mm
Depth	372 mm
Weight	103 kg
Colour	Black, Grey
Max. log length	30 cm
Energy classification	

Accessories: Soft close door, glass or metal floor protector, outside air connection.



Contura 700

Contura 750A 

For those who want to stand out

Aluminium gives a really interesting contrast to the glow of the flames. If you want something that feels trendy not just now but for many years to come Contura 750A is an obvious choice. Both sides and rear are clad in aluminium which makes it even more attractive for positioning in the middle of the room.


Specifications

Output	3–7 kW
Nominal output	5 kW
Efficiency	80 %
Heats	up to 120 m ²
Height	1151 mm
Width	459 mm
Depth	372 mm
Weight	103 kg
Colour	Black, Grey
Max. log length	30 cm
Energy classification	

Accessories: Soft close door, glass or metal floor protector, outside air connection.





Contura 780 

Fire for a new generation

We have pushed the boundaries of modern stove design with the Contura 700 range. The contemporary design, by the renowned Swedish design group Myra, makes the stove an obvious focal point in all rooms - without taking up much floor space. Place the stove on a pillar and see even more of the already widely visible fire.

Specifications

Output	3-7 kW
Nominal output	5 kW
Efficiency	80 %
Heats	up to 120 m ²
Height	1200 mm
Width	459 mm
Depth	372 mm
Weight	103 kg
Colour	Black, Grey
Max. log length	30 cm
Energy classification	

Accessories: Turntable, soft close door, glass or metal floor protector, outside air connection.




Contura 790K 

Let the fire take place

High-gloss white tiles give Contura 790K a modern yet classical surround. Add a heat tank for even longer lasting heat.

See efficiency tests on page 167.

Specifications


Output	3-7 kW
Nominal output	5 kW
Efficiency	80 %
Heats	up to 120 m ²
Height	1600 mm
Width	550 mm
Depth	407 mm
Weight	170 kg
Colour	Black, Grey
Max. log length	30 cm
Energy classification	

Accessories: Heat storage (can not be combined with fan), soft close door in tile, glass or metal floor protector, outside air connection.



Contura 700

Specifications

Output	3–7 kW
Nominal output	5 kW
Efficiency	80 %
Heats	up to 120 m ²
Height	1600 mm
Width	550 mm
Depth	407 mm
Weight	250 kg
Colour	Black, Grey
Max. log length	30 cm
Energy classification	

Contura 790T 

With natural heating

Contura 790T is fully clad in natural heat retaining soapstone. The soapstone has distinctive veining with natural variations that makes each stove unique. Choose powerstone heat tank for extra long post heat or fan for excellent heat distribution.

Accessories: Heat storage (can not be combined with fan), glass or metal floor protector, outside air connection.



Contura 800 Style Series

Compact. Capable.

The new Contura 800 Style features an updated, even more elegant design. But above all, added features for easier fire lighting and tending. An autostarter for fast fire lighting, a booster to revive embers, and a silently sliding ash pan are just some of the new features to add to the pleasure of a real fire.


With a wide range of models and add-on options, you can be sure of finding your ideal stove. A heat source for any interior and every personality.

Contura 810 Style

Series base model

A compact stove for easy positioning in any interior. The base model in this range is available in grey, white and black, and the upgrade to Style now means that the door features an even taller glass pane for even better flame visibility. The chimney can be connected to the top or rear of the stove on all models.

Specifications

Output	3–7 kW
Nominal output	5 kW
Efficiency	81 %
Heats	up to 120 m ²
Height	950 mm
Width	465 mm
Depth	365 mm
Weight	80 kg
Colour	Black, Grey
Max. log length	33 cm
Energy classification	

Accessories

Soft close door, floor protection in glass or steel, outdoor air connection.



Contura 800 Style




Contura 810G Style 🍷

Reflecting the light

The generous glass pane in the door of the Contura 810G Style creates a bright and energising effect. The light from the room and the heat from the fire blend together. All beautifully framed by the discreet side panels.

Specifications

Output	3–7 kW
Nominal output	5 kW
Efficiency	81 %
Heats	up to 120 m ²
Height	950 mm
Width	465 mm
Depth	365 mm
Weight	77 kg
Colour	Black, White
Max. log length	33 cm
Energy classification	

Accessories: Soft close door, floor protection in glass or steel, outdoor air connection.



Contura 820T Style 🍷

Natural soapstone

With panels in soapstone you'll have a beautiful, natural surround for your stove. Every soapstone fireplace will always be unique, as the veining of the natural stone is naturally variable. The naturally heat-retaining stone also provides comfortable and steady heating. A new feature in the Style upgrade is that the stone panels now have fewer joins as compared to previous models.

Specifications

Output	3–7 kW
Nominal output	5 kW
Efficiency	81 %
Heats	up to 120 m ²
Height	965 mm
Width	465 mm
Depth	365 mm
Weight	105 kg
Colour	Black, Grey
Max. log length	33 cm
Energy classification	


Accessories: Soft close door, floor protection in glass or steel, outdoor air connection.

Contura 820TG Style 

Striking contrast

With natural soapstone side panels and a stylish glass door, this stove combines two design worlds in a striking way. The soapstone has an individual veining that gives each stove a unique character. The glass door showcases the fire and reflects light. Adding a burst of vibrancy and life to your interior.


Specifications

Output	3–7 kW
Nominal output	5 kW
Efficiency	81 %
Heats	up to 120 m ²
Height	965 mm
Width	465 mm
Depth	365 mm
Weight	125 kg
Colour	Black
Max. log length	33 cm
Energy classification	

Accessories: floor protection in glass or steel, outdoor air connection.



Contura 800 Style

Contura 856 Style 

Let the fire be seen

A stove doesn't just spread warmth and cosiness. The visual impression is just as important. The Contura 856 Style features generous side panes, making the flames visible anywhere in your interior. The stove will be a natural eye-catcher in your home, a place to gather round to get cosy together.

Specifications

Output	3–7 kW
Nominal output	5 kW
Efficiency	81 %
Heats	up to 120 m ²
Height	950 mm
Width	465 mm
Depth	365 mm
Weight	125 kg
Colour	Black, Grey
Max. log length	33 cm
Energy classification	

Accessories: floor protection in glass or steel, outdoor air connection.






Contura 856G Style 

Let the fire be seen

A stove doesn't just spread warmth and cosiness. The visual impression is just as important. The Contura 856 Style features generous side panes, making the flames visible anywhere in your interior. The stove will be a natural eye-catcher in your home, a place to gather round to get cosy together.

Specifications

Output	3–7 kW
Nominal output	5 kW
Efficiency	81 %
Heats	up to 120 m ²
Height	950 mm
Width	465 mm
Depth	365 mm
Weight	77 kg
Colour	Black, White
Max. log length	33 cm
Energy classification	

Accessories: Soft close door, floor protection in glass or steel, outdoor air connection.




Contura 856T Style 


Side panes and soapstone

Combine the generous glass side panes with the appeal of soapstone. The Contura 856T Style is a stove for maximum flame visibility and a natural heat-retaining soapstone panel with unique stone veining. The flames off set by the natural soapstone create a distinctive look and ambience.

Specifications

Output	3–7 kW
Nominal output	5 kW
Efficiency	81 %
Heats	up to 120 m ²
Height	965 mm
Width	465 mm
Depth	365 mm
Weight	105 kg
Colour	Black, Grey
Max. log length	33 cm
Energy classification	


Accessories: Soft close door, floor protection in glass or steel, outdoor air connection.

Contura 856W Style 

A work of art for your wall

Our wall-mounted model is practical and raises the fire to make it more visible. The generous side panes provide great flame visibility from all angles. The Contura 856W Style is available in several variants, so you can find the ideal design for your wall.

Specifications

Output	3–7 kW
Nominal output	5 kW
Efficiency	81 %
Heats	up to 120 m ²
Height	694 mm
Width	465 mm
Depth	365 mm
Weight	67 kg
Colour	Black
Max. log length	33 cm
Energy classification	

Accessories: Floor protection in glass or steel, outdoor air connection.



Contura 800 Style

Contura 856WG Style 

Gaze into the heat

The wall-mounted Contura 856WG Style is a practical and aesthetically pleasing choice. It raises the fire and can be placed wherever you want. The glass sides and glass door produce a wonderfully spacious feel.

Specifications

Output	3–7 kW
Nominal output	5 kW
Efficiency	81 %
Heats	up to 120 m ²
Height	694 mm
Width	465 mm
Depth	365 mm
Weight	67 kg
Colour	Black, White
Max. log length	33 cm
Energy classification	

Accessories: Floor protection in glass or steel, outdoor air connection.





Contura 870 Style 🍷

Put your fire on a pedestal

Raise your stove and give the fire pride of place in your interior. A pedestal-mounted stove makes the fire more visible. It also provides an airy look underneath, and makes floor cleaning around the stove easier. With a turntable (optional), you can orient your stove smoothly full-circle for the best and cosiest view.

Specifications

Output	3–7 kW
Nominal output	5 kW
Efficiency	81 %
Heats	up to 120 m ²
Height	1100 mm
Width	465 mm
Depth	365 mm
Weight	85 kg
Colour	Black
Max. log length	33 cm
Energy classification	

Accessories: Turntable, glass or metal floor protector, outside air connection.




Contura 870G Style 🍷

The glass door adds extra style

Because the Contura 870G Style sits on a pedestal, its generous glass door really catches the eye. A turntable (optional) lets you effortlessly turn the stove to obtain the best view of the fire. A practical stove that easily finds a place in your home.

Specifications

Output	3–7 kW
Nominal output	5 kW
Efficiency	81 %
Heats	up to 120 m ²
Height	1100 mm
Width	465 mm
Depth	365 mm
Weight	85 kg
Colour	Black, White
Max. log length	33 cm
Energy classification	


Accessories: Turntable, glass or metal floor protector, outside air connection.

Contura 886G Style 

An airier look

A pedestal stove makes the fire more visible in your interior. With the Contura 886G Style you also have the benefit of generous side panes, which almost make the fire look like it is floating in thin air. Combined with a turntable (optional) you can swivel the stove so that you can always see the fire from anywhere in the room. Our pedestal model in white is a great innovation.


Specifications

Output	3–7 kW
Nominal output	5 kW
Efficiency	81 %
Heats	up to 120 m ²
Height	1100 mm
Width	465 mm
Depth	365 mm
Weight	82 kg
Colour	Black, White
Max. log length	33 cm
Energy classification	

Accessories: Turntable, glass or metal floor protector, outside air connection.



Contura 800 Style

Contura 886 Style 

Discreet and warm profile

The black Contura 886 Style creates a subtle and comfortable impression. While the glass sides and glass door give the fire a dramatic presence. The natural centrepiece on dark, cosy evenings through the autumn and winter.


Specifications

Output	3–7 kW
Nominal output	5 kW
Efficiency	81 %
Heats	up to 120 m ²
Height	1100 mm
Width	465 mm
Depth	365 mm
Weight	82 kg
Colour	Black
Max. log length	33 cm
Energy classification	

Accessories: Turntable, glass or metal floor protector, outside air connection.






Contura 890 Style 

Impressive presence

A stove to impress, but still in an easily-placed format. The tall Contura 890 Style spreads warmth and cosiness all around and will be a natural feature for your family to gather around. A stove with a distinct presence in any interior, whether lit or not.


Specifications

Output	3–7 kW
Nominal output	5 kW
Efficiency	81 %
Heats	up to 120 m ²
Height	1260 mm
Width	465 mm
Depth	365 mm
Weight	90 kg
Colour	Black
Max. log length	33 cm
Energy classification	



Accessories: Glass or metal floor protector, heat storage, outside air connection.




Contura 890G Style 

Stylish and striking

The Contura 890G Style is tall, sleek and impressive. Yet it blends seamlessly into any interior. The stove comes in contemporary, stylish white and in more subtle black. Its generous glass door provides outstanding flame visibility.

Specifications

Output	3–7 kW
Nominal output	5 kW
Efficiency	81 %
Heats	up to 120 m ²
Height	1260 mm
Width	465 mm
Depth	365 mm
Weight	90 kg
Colour	Black, White
Max. log length	33 cm
Energy classification	




Accessories: Glass or metal floor protector, heat storage, outside air connection.

Contura 890T Style 🇸🇪

A dramatic impression

The dramatic flickering of the flames off set by the calm and robust soapstone. Contura 890T Style is a stove with a format and appearance that won't go unnoticed. The naturally heat-retaining soapstone also radiates heat long after the last embers have died out.

Specifications

Output	3–7 kW
Nominal output	5 kW
Efficiency	81 %
Heats	up to 120 m ²
Height	1275 mm
Width	465 mm
Depth	365 mm
Weight	150 kg
Colour	Black, Grey
Max. log length	33 cm
Energy classification	



Accessories: Glass or metal floor protector, heat storage, outside air connection.



Contura 800 Style

Contura 890TG Style 🇸🇪

Natural and warm

Natural heat-retaining soapstone continues to radiate heat for hours. The generous glass door offers an unparalleled visual effect. You'll find the Contura 890TG Style stove keeps you lingering by its side.

Specifications

Output	3–7 kW
Nominal output	5 kW
Efficiency	81 %
Heats	up to 120 m ²
Height	1275 mm
Width	465 mm
Depth	365 mm
Weight	150 kg
Colour	Black
Max. log length	33 cm
Energy classification	



Accessories: Glass or metal floor protector, heat storage, outside air connection.






Contura 896G Style 

More space for warmth

With its generous side panes and tall format, the Contura 896 Style gives the fire the pride of place it deserves in your home. This stove is available in several colours and variants. The 896 is easy to appreciate; a stove to attract gazes and people.

Specifications

Output	3–7 kW
Nominal output	5 kW
Efficiency	81 %
Heats	up to 120 m ²
Height	1260 mm
Width	465 mm
Depth	365 mm
Weight	87 kg
Colour	Black, White
Max. log length	33 cm
Energy classification	


Accessories: Glass or metal floor protector, heat storage, outside air connection.

Contura 896 Style 

Spreading warmth and comfort


Thanks to the glass sides of the discreetly designed Contura 896 Style, the fire almost looks like it is floating, especially on dark, cosy winter evenings. A stove that immediately becomes the natural source of comfort in the home.

Specifications

Output	3–7 kW
Nominal output	5 kW
Efficiency	81 %
Heats	up to 120 m ²
Height	1260 mm
Width	465 mm
Depth	365 mm
Weight	87 kg
Colour	Black, Grey
Max. log length	33 cm
Energy classification	



Accessories: Glass or metal floor protector, heat storage, outside air connection.

Contura 810L Classic 

Easy to position, even in small spaces

The Contura 810L is available in black. Its elliptical shape makes this stove compact and attractive, making it very easy to position, even in small spaces.

Specifications

Output	4.5–6 kW
Nominal output	5 kW
Efficiency	82 %
Heats	up to 90 m ²
Height	715 mm
Width	460 mm
Depth	360 mm
Weight	70 kg
Colour	Black
Max. log length	30 cm
Energy classification	

Accessories: floor protection in glass or steel, outdoor air connection.



Contura 800 Style

Contura Cassettes

More heat and new life in your home

If you're building a new fireplace or wanting to get more out of your old one, a cassette stove is the perfect solution.

A cassette heats your home, unlike an open fireplace which loses heat up the chimney. A closed fireplace also releases far fewer particles into the atmosphere.


Contura is manufactured with the latest technology, which means that it is very energy efficient. The fireplace is easy to light and reaches full output within a few minutes. All Contura products are thoroughly tested so that you can light with a clear conscience and a great deal of pleasure.

Contura cassettes are available with a choice of sizes, doors and designs. Find your favourite!







Contura i4 Modern, 3 sided frame 

Attention to both design and technology

Contura i4 Modern with three sided frame in modern design that blends easily into your home and is easy to position in the fireplace.

Specifications

Output	3–5 kW
Nominal output	4 kW
Efficiency	78 %
CO value	0,1 %
Height	590 mm
Width	490 mm
Depth	350 mm
Weight	71 kg
Colour	Black, Grey
Wood length	25 cm
Energy classification	

Accessories: Brushed steel handle, outside air connection.

Contura i4 Modern, 4 sided frame 🌟

Looks, heating and good technology

Contura i4 gives the old fireplace new life with a stripped down design, generous glass and efficient technology.

Specifications

Output	3–5 kW
Nominal output	4 kW
Efficiency	78 %
CO value	0,1 %
Height	635 mm
Width	490 mm
Depth	350 mm
Weight	72 kg
Colour	Black, Grey
Wood length	25 cm
Energy classification	A

Accessories: Brushed steel handle, outside air connection.



Contura i4 Classic 🌟

Retain your classic style

Contura i4 Classic retains the classic style of your existing fireplace but give more heat from the wood.


Specifications

Output	3–5 kW
Nominal output	4 kW
Efficiency	78 %
CO value	0,1 %
Height	600 mm
Width	490 mm
Depth	350 mm
Weight	77 kg
Colour	Black
Wood length	25 cm
Energy classification	A

Accessories: Outside air connection.






Contura i5, panorama 


Clean lines and large glass areas

Contura i5 with panorama door gives the fire a lot of space. The clean lines blend into your home.

Specifications

Output	3–9 kW
Nominal output	5 kW
Efficiency	78 %
CO value	0,1 %
Height	480 mm
Width	550 mm
Depth	433 mm
Weight	77 kg
Colour	Black, Grey
Wood length	35 cm
Energy classification	


Accessories: Finned grille that covers the opening around the cassette, outside air connection.

Contura i5, double door 

Make your home beautiful

Contura i5 with double doors is ideal for corner stoves where a larger door takes too much space. The modern impression is reinforced by the finned grille.


Specifications

Output	3–9 kW
Nominal output	5 kW
Efficiency	78 %
CO value	0,1 %
Height	480 mm
Width	550 mm
Depth	433 mm
Weight	77 kg
Colour	Black, Grey
Wood length	35 cm
Energy classification	

Accessories: Finned grille that covers the opening around the cassette, outside air connection.



Contura Cassettes

Contura i5L, panorama 

In a fireplace recess

Contura i5L has additional cast iron legs for positioning in a fireplace recess.


Specifications

Output	3–9 kW
Nominal output	5 kW
Efficiency	78 %
CO value	0,1 %
Height (with legs)	530 mm
Width	550 mm
Depth	433 mm
Weight	77 kg
Colour	Black, Grey
Wood length	35 cm
Energy classification	

Accessories: Finned grille that covers the opening around the cassette, outside air connection.






Contura i6 

Style for every environment


Contura i6 is the ideal choice for those who have their own ideas of what a cassette should look like and want to build a new fireplace. Choose the impression you want to give with a glass or a cast iron door.

Specifications

Output	3–9 kW
Nominal output	5 kW
Efficiency	78%
CO value	0,1 %
Height	545 mm
Width	625 mm
Depth	405 mm
Weight	92 kg
Wood length	35 cm
Energy classification	

Accessories: Outside air connection, hot air grate




Contura i6G 

Heating for the prudent

Contura i6G is the ideal choice for those who have their own ideas of what a cassette should look like and want to build a new fireplace. Choose the impression you want to give with a glass or a cast iron door.

Specifications


Output	3–9 kW
Nominal output	5 kW
Efficiency	78%
CO value	0,1 %
Height	545 mm
Width	625 mm
Depth	405 mm
Weight	92 kg
Wood length	35 cm
Energy classification	

Accessories: Outside air connection, hot air grate

**Specifications**

Output	5–9 kW
Nominal output	7 kW
Efficiency	77%
Weight	100 kg
Width	775 mm
Depth	360 mm
Height	585 mm
Max. log length	50 cm
Connection diameter	150 mm
Connection diameter	*125 mm
Energy classification	A
*Accessory	

Accessories: Outside air connection, hot air grate


Contura i7G 

Build in with variation

The Contura i7 is our latest cassette. It allows you to customise your fireplace exactly as you want it. Place it inside a fireplace that you design yourself or, as illustrated, create your own unique solution.

The Contura i7 is black and available with a glass or cast iron door and steel frame.




Contura i8 

Customise your fireplace


The Contura i8 offers you multiple options for creating a unique look in your home. The cassette comes in a range of designs with sidelights on both sides, or on just the right or left side. You can choose a door with a cast-iron frame (i8) for a robust and subtle look, or a glass frame (i8G) that emphasises the generous glass door and sidelights.


Specifications

Output	5–9 kW
Nominal output	7 kW
Efficiency	77%
CO value	0,1 %
Height	530 mm
Width	735 mm
Depth	365 mm
Weight	100 kg
Wood length	50 cm
Energy classification	

Accessories: Outside air connection

**Specifications**

Output	5–9 kW
Nominal output	7 kW
Efficiency	77%
CO value	0,1 %
Height	530 mm
Width	735 mm
Depth	365 mm
Weight	100 kg
Wood length	50 cm
Energy classification	

Accessories: Outside air connectionContura i8G 

Always warm and welcoming

Thanks to its sidelights, the new Contura i8 displays its fire from many angles. It produces an even heat and burns with outstanding efficiency. Our Clean Burning System spreads the heat across the inside of the glass, which helps to keep it cleaner. The Contura i8 is a high-quality product, made in Sweden and guaranteed to give years of pleasure.

Contura Inserts

Think freely with inserts

Give your ideas free rein by choosing an insert from Contura. Browse the following pages for lots of inspiration. Inserts are available in a range of sizes and with surrounds in a choice of materials so that you can create your dream fireplace. You can also build your own fireplace for the insert.

Whichever insert you choose, you'll enjoy a superb fire that will brighten your home and fill it with luxuriant heat.

Build in heating!


A modern fireplace with generous glass gives you the sensations of the fire, at the same time that you use the energy to heat your home.

Contura is manufactured with the latest technology, which means that it is very energy efficient. The fireplace is easy to light and reaches full output within a few minutes. All Contura products are thoroughly tested so that you can light with a clear conscience and a great deal of pleasure.



Contura Inserts




Contura i31A 


Insert and natural stone in one

Artstone is a stained white cast stone, unique to Contura. The insert is easy to position in the home. It takes up very little space and can be placed against a combustible wall.

Specifications

Output	4–9 kW
Nominal output	6 kW
Efficiency, up to	81%
Weight	400 kg
Height	1650 mm
Depth	500 mm
Width	910 mm
Wood length	50 cm
Energy classification	


Accessories: Outside air connection, heat retaining powerstone.

Contura i31T 

Soft grey soapstone

A body clad in natural heat retaining soapstone gives you added economical heating. The model can also be combined with heat retaining powerstone.

Specifications


Output	4–9 kW
Nominal output	6 kW
Efficiency, up to	81%
Weight	400–580 kg
Height	1650 mm
Depth	500 mm
Width	910 mm
Wood length	50 cm
Energy classification	

with shelves/bench

Weight	+40, +140 kg
Height	1750 mm
Depth	580 mm
Width	1110, 1660 mm

Accessories: Outside air connection, heat retaining powerstone.




Contura i31S 

Walnut brown sandstone

Sandstone is a natural stone that retains heat. Natural variations in the stone make your fireplace unique.

Specifications

Output	4–9 kW
Nominal output	6 kW
Efficiency, up to	81%
Weight	400–580 kg
Height	1650 mm
Depth	500 mm
Width	910 mm
Wood length	50 cm
Energy classification	


with shelves/bench

Weight	+40, +140 kg
Height	1750 mm
Depth	580 mm
Width	1110, 1660 mm

Accessories: Outside air connection, heat retaining powerstone.






Contura i41T 

View the fire from either side

The angled glass door in Contura i40 gives you even more possibilities to create a fireplace that stands out and lights up. The soapstone surround is naturally heat retaining.


Specifications

Output	5–10 kW
Nominal output	7 kW
Efficiency, up to	81%
Weight	400–450 kg
Height	1650 mm
Depth	500 mm
Width	910 mm
Wood length	50 cm
Energy classification	

with shelves/bench

Weight	+25, +120 kg
Height	1750 mm
Depth	580 mm
Width	1110, 1560 mm


Accessories: Outside air connection, heat retaining powerstone.

Contura i41S 

Choose a side, right or left?

Body clad in walnut brown sandstone with two-sided door. The orientation of the door can be to the left or the right. Supplement with heat retaining powerstone.

Specifications

Output	5–10 kW
Nominal output	7 kW
Efficiency, up to	81%
Weight	400–450 kg
Height	1650 mm
Depth	500 mm
Width	910 mm
Wood length	50 cm
Energy classification	

with shelves/bench

Weight	+25, +120 kg
Height	1750 mm
Depth	580 mm
Width	1110, 1560 mm

Accessories: Outside air connection, heat retaining powerstone.




Contura Inserts

Contura i41A 

Choose white and black

Artstone is a stained white cast stone, unique to Contura. Add extra details such as a shelf and bench in black granite.

Specifications

Output	5–10 kW
Nominal output	7 kW
Efficiency, up to	81%
Weight	400–450 kg
Height	1650 mm
Depth	500 mm
Width	910 mm
Wood length	50 cm
Energy classification	


with shelves/bench

Weight	+25, +120 kg
Height	1750 mm
Depth	580 mm
Width	1110, 1560 mm

Accessories: Outside air connection, heat retaining powerstone.






Contura i51, white 

Lights in an instant


The white metal Contura i51 has fast become a favourite. The state-of-the-art design looks good in any modern home, of course, but what makes the i51 a real winner is that it has been air leakage checked and takes all the combustion air from outside. Lighting the fire couldn't be easier and the heating is extremely efficient.

Specifications

Output	6–10 kW
Nominal output	8 kW
Efficiency, up to	80%
Weight	230–400 kg
Height	1650 mm
Depth	500 mm
Width	770 mm
Colour	Black, White
Wood length	50 cm
Energy classification	

Log Box (Optional)


Weight	50 kg
Height	500 mm
Depth	500 mm
Width	400 mm

Contura i51, black 

A log box for variation

With generous glass areas on three sides and a spacious firebox, Contura i51 is truly an insert for the modern home. The technology beneath the aesthetic hood is specially adapted for houses with modern heating technology that creates negative pressure.


Specifications

Output	6–10 kW
Nominal output	8 kW
Efficiency, up to	80%
Weight	230–400 kg
Height	1650 mm
Depth	500 mm
Width	770 mm
Colour	Black, White
Wood length	50 cm
Energy classification	

Accessories: Easy-to-position black log box, outside air connection, heat retaining powerstone.




Contura Inserts

Contura i51A, white 

Simple to position

Artstone is a stained white cast stone, unique to Contura. The insert is easy to position in the home. It takes up very little space and can be placed against a combustible wall. Supplement with a black painted steel log box.

Specifications

Output	6–10 kW
Nominal output	8 kW
Efficiency, up to	80%
Weight	230–400 kg
Height	1650 mm
Depth	500 mm
Width	770 mm
Colour	White, Natural
Wood length	50 cm
Energy classification	

Accessories: Easy-to-position black log box, outside air connection, heat retaining powerstone.






Contura i51AN, natural 

Raw concrete with a smooth finish


Artstone natural is raw concrete polished to a smooth surface with a soft grey hue, for those who like daring elegance. Supplement with a black painted steel log box.

Specifications

Output	6–10 kW
Nominal output	8 kW
Efficiency, up to	80%
Weight	230–400 kg
Height	1650 mm
Depth	500 mm
Width	770 mm
Colour	White, Natural
Wood length	50 cm
Energy classification	

Accessories: Easy-to-position black log box, outside air connection, heat retaining powerstone.




Contura i51T, soapstone 


Lots of storage and heat

The natural heat retaining soapstone makes your i51T unique, because the stone's veining varies. Supplement with powerstone under the cover to retain the heat much, much longer.

Specifications

Output	6–10 kW
Nominal output	8 kW
Efficiency, up to	80%
Weight	230–400 kg
Height	1650 mm
Depth	500 mm
Width	770 mm
Wood length	50 cm
Energy classification	


Accessories: Easy-to-position black log box, outside air connection, heat retaining powerstone.

Contura i51S, sandstone 

Sit beautifully

Sandstone is a natural heat retaining stone in nut brown nuances with natural variations.

Specifications

Output	6–10 kW
Nominal output	8 kW
Efficiency, up to	80%
Weight	230–400 kg
Height	1650 mm
Depth	500 mm
Width	770 mm
Wood length	50 cm
Energy classification	


Log Box (Optional)

Weight	50 kg
Height	500 mm
Depth	500 mm
Width	400 mm

Accessories: Easy-to-position black log box, outside air connection, heat retaining powerstone.




Contura Inserts

Contura i50 

Be creative when building

Let your imagination set the limits for your fireplace and build your own surround.


Specifications

Output	6–10 kW
Nominal output	8 kW
Efficiency, up to	80%
Weight	160 kg
Height	1470 mm
Depth	485 mm
Width	765 mm
Wood length	50 cm
Powerstone	100 kg
Energy classification	

Accessories: Easy-to-position black log box, outside air connection, heat retaining powerstone.






Contura i61, black 


Stylish, classic, practical

The heat and light from the fire of a black metal Contura i61 create a dramatic contrast. The perfect choice if you're looking for a fireplace with both a stylish and practical finish.

Specifications

Output	5–9 kW
Nominal output	6 kW
Efficiency, up to	81%
Heats	up to 140 m ²
Height	1570 mm
Depth	590 mm
Width	500 mm
Weight	195 kg
Colour	Black
Wood length	33 cm
Energy classification	


Accessories: Easy-to-position black log box, outside air connection, heat retaining powerstone.

Contura i61, white 

A brighter feel

A white metal Contura i61 blends beautifully into your home, with typical Scandinavian aesthetic appeal that creates a bright and spacious feel. The highly-durable painted finish is designed to last.

Specifications

Output	5–9 kW
Nominal output	6 kW
Efficiency, up to	81%
Heats	up to 140 m ²
Height	1570 mm
Depth	590 mm
Width	500 mm
Weight	195 kg
Colour	White
Wood length	33 cm
Energy classification	

Accessories: Easy-to-position black log box, outside air connection, heat retaining powerstone.



Contura i61AN, natural 

Heat resistant with a multitude of variations

Artstone is resistant to fluctuations in temperature and the natural variant is also ideal to paint. Ask your dealer about the option of a Contura i61 in your own favourite colour!


Specifications

Output	5–9 kW
Nominal output	6 kW
Efficiency, up to	81%
Heats	up to 140 m ²
Height	1570 mm
Depth	590 mm
Width	500 mm
Weight	275 kg
Colour	Natural
Wood length	33 cm
Energy classification	

Accessories: Easy-to-position black log box, outside air connection, heat retaining powerstone.






Contura i61A, white 

Strength and beauty


Artstone is raw concrete polished to a smooth surface. It has a contemporary feel which combines beauty and strength with inspiration from industrial design. White Artstone adds a bright and uplifting edge to your interior.

Specifications

Output	5–9 kW
Nominal output	6 kW
Efficiency, up to	81%
Heats	up to 140 m ²
Height	1570 mm
Depth	590 mm
Width	500 mm
Weight	275 kg
Colour	White
Wood length	33 cm
Energy classification	

Accessories: Easy-to-position black log box, outside air connection, heat retaining powerstone.




Contura i61T, soapstone 

No two fireplaces are the same


Soapstone is a naturally heat-retaining stone that makes every fireplace unique due to its natural veining. It produces a beautiful fireplace that you can really call your own.

Specifications

Output	5–9 kW
Nominal output	6 kW
Efficiency, up to	81%
Heats	up to 140 m ²
Height	1570 mm
Depth	590 mm
Width	500 mm
Weight	320 kg
Colour	Soapstone
Wood length	33 cm
Energy classification	

Accessories: Easy-to-position black log box, outside air connection, heat retaining powerstone.

**Specifications**

Output	5–9 kW
Nominal output	6 kW
Efficiency, up to	81%
Heats	up to 140 m ²
Height	1530 mm
Depth	585 mm
Width	500 mm
Weight	145 kg
Colour	Black
Wood length	33 cm
Energy classification	

Accessories: Easy-to-position black log box, outside air connection, heat retaining powerstone.

Contura i60, insert 

Minimalism or maximalism – your choice!

The fireplace is also available as an insert, the Contura i60. Let your fireplace blend discreetly into the wall or go for a bold design where the only limit is your imagination and you build your own unique masonry surround. The choice is yours.





Give Contura a personal touch

You have probably realised that Contura's basic models satisfy most tastes. You may have found your own favourite. Now it is time to choose the options! Thanks to our ingenious, Smålander designs it is possible to make a completely personal Contura that meets your needs.

Contura has options for the economic minded: A fan that increases the efficiency.

Contura has options for the orderly: You can keep a lighter, kindling and gloves behind a door.

Contura has options for the aesthete: How do you want to top your Contura? With soapstone, steel plate, glass or cast iron?

Here you can read more about hotplates, the turntable & floor protection to make your Contura stove fit your home perfectly.

Heat can be used for many things

Several of our models can be supplemented with a fan that gives an extra kick to the heat. A hotplate or soapstone top is an energy saving complement to the usual hob and oven.

Options for comfort and function

Here is an overview of options that increase the benefits and pleasure of using your stove. Bear in mind that certain options cannot be combined on all models. The complete range of options can be found at www.contura.eu



Drawer. Convenient and spacious steel box placed under the stove (Contura 300 series only).



Cast iron hot plate. Perfect for when you want to use the stove to heat up food and drink.



Freestanding wood storage. Exclusive to Contura 600 Style series.



Freestanding log box. Available for Contura 300 series stoves. A steel log box can be placed under the Contura 330G or on the side of the Contura 310 and Contura 320. Placed horizontally holds logs up to 50 cm in length.



Fan. Distributes the heat quickly and provides a more even temperature. It is thermostat-controlled and starts when the fire is lit and stops when the fire has gone out. Easy to install and can also be retrofitted.



Glass top. Give your stove a modern look with a glass top. Suitable for Contura 500, 600 and 800 Style.



Painted Aluminum. For clean lines and a modern finish. Suitable for the Contura 500, 600 and 800 Style



Soapstone top. Each piece of soapstone is unique in its beautiful veining. The stone retains heat for a long time and also acts as a hotplate.



Turntable. Stepless rotation through 360 degrees. The turning angle and the speed of rotation are adjustable. Suitable for all Contura 500, 600 and 780, 880.



Soft-close door. Store logs, matches and protective gloves behind a matching, soft-closing door.



Floor protection. Our practical floor protectors are available in black or grey sheet metal or transparent, toughened glass. In addition to being attractive and protecting the floor they are easy to remove for cleaning.



Heat tank. The powerstone heat tank is concealed in the stove and retains the heat for a long time. In the models of the Contura 500, 600, 700 and 30 ranges the heat tank cannot be combined with the fan.



Log box. A practical compartment under the stove which keeps the logs in order is standard on several models.

Options for Contura Inserts and Cassettes

Bear in mind that certain options cannot be combined on all models. The complete range of options can be found at www.contura.eu



Elegant finned grille. Stove openings larger than the dimensions of the insert can be concealed by a matching finned grille. This is easy to cut to the perfect size and install.



Legs. Contura i5 can be supplemented with short legs.



Shelf. Choose a shelf in black granite for Contura i31 and i41 models.



Bench. Choose a bench in black granite for Contura i31 and i41 models.



Heat Tank. 200 kg Powerstone for Contura i31 and i41 and 100 kg Powerstone for Contura i51 if you want to retain heat for longer.



Log Box. A black painted steel log box is available for Contura i51 and i61. You determine where and how it should be located. Strong enough to use as a bench or extra surface.

Product Information

Facts about all the stoves are gathered here, model by model so that you can plan your choice. Using the dimensions diagrams you can measure exactly how the fireplace can be positioned.

Safety tested

CE labelling is an important part of EU product legislation and includes construction products, machinery and toys. The CE label certifies that the product meets the most important characteristic, namely, safety.

All products made by Contura are CE labelled.

5-year warranty

When you buy a complete stove from Contura you always get a five-year stove body factory warranty. Good service and parts availability are additional assurances during the service life of the stove.



Technical Specifications



Basic information relating to products found in this brochure.

For more information visit contura.eu

Freestanding Stoves

Model	Output (kW)	Efficiency (%)	Height (mm)	Width (mm)	Depth (mm)	Weight (kg)	Min distance from back (mm)	Min distance from side (mm)	Max log length (mm)
Contura 26									
26K	3-9	79	1622	582	462	265	100	600	400
26TL	3-9	79	1312	582	462	420	100	600	400
26T	3-9	79	1622	582	462	470	100	600	400
Contura 30									
34T	3-7	80	1600	550	430	320	100	415	350
35	3-7	80	1600	550	430	130	100	415	350
35T	3-7	80	1600	550	430	250	100	415	350
Contura 50									
51	3-7	81	825	495	420	128	150	500	350
51L	3-7	81	630	495	420	128	150	500	350
52	3-7	81	825	495	420	135	150	500	350
52T	3-7	81	875	495	420	172	150	500	350
Contura 300									
310 / 310G	5-9	77	850	750	375	130	100	500	500
310A / 320AG	5-9	77	850	750	375	175	100	500	500
320T / 320TG	5-9	77	850	750	375	190	100	500	500
330G	5-9	77	850	750	375	115	100	500	500
Contura 500 Style									
510 Style	3-7	80	1066	495	440	100	100	500	330
520 Style	3-7	80	1100	570	477	205	100	468	330
520T Style	3-7	80	1100	566	475	221	100	468	330
556 Style	3-7	80	1066	495	440	100	100	500	330
556T Style	3-7	80	1083	542	440	175	100	500	330
586 Style	3-7	80	1143	495	440	104	100	500	330
590T Style	3-7	80	1544	542	463	240	100	480	330
596 Style	3-7	80	1529	495	440	136	100	500	330
596T Style	3-7	80	1544	542	463	220	100	479	330
Contura 600 Style									
610 / 610G Style	3-9	86	1260	540	495	120	100	528	360
610AG Style	3-9	86	1260	540	495	176	100	528	360
620 Style	3-9	86	1290	580	515	250	100	507	360
620T / 620TG Style	3-9	86	1290	580	515	250	100	507	360
690 / 690G Style	3-9	86	1650	540	495	133	100	528	360
690AG Style	3-9	86	1650	540	495	240	100	528	360
690T Style	3-9	86	1680	580	515	322	100	507	360

Freestanding Stoves (continued)

Model	Output (kW)	Efficiency (%)	Height (mm)	Width (mm)	Depth (mm)	Weight (kg)	Min distance from back (mm)	Min distance from side (mm)	Max log length (mm)
Contura 700									
710	3-7	80	1151	459	372	105	100	400	300
720T	3-7	80	1179	556	407	195	100	400	300
750	3-7	80	1151	459	372	103	100	400	300
750A	3-7	80	1151	459	372	103	100	400	300
780	3-7	80	1200	459	372	103	100	400	300
790K	3-7	80	1593	556	407	170	100	400	300
790T	3-7	80	1593	556	407	260	100	400	330

Contura 800 Style

810 Style	3-7	81	950	465	365	80	100	350	330
810L (Classic)	3-6	82	715	460	360	70	100	350	300
820T Style	3-7	81	965	465	365	125	100	350	330
856 Style	3-7	81	950	465	365	77	100	500	330
856W Style	3-7	81	694	465	365	67	-	500	330
856T Style	3-7	81	965	465	365	105	100	500	330
870 Style	3-7	81	1100	465	365	85	100	350	330
886 Style	3-7	81	1100	465	365	82	100	500	330
890 Style	3-7	81	1260	465	365	90	100	350	330
890T Style	3-7	81	1275	465	365	150	100	350	330
896 Style	3-7	81	1260	465	365	87	100	500	330

Inserts & Cassettes









Model	Output (kW)	Efficiency (%)	Height (mm)	Width (mm)	Depth (mm)	Weight (kg)	Min distance from back (mm)	Min distance from side (mm)	Max log length (mm)
i4, Classic	3-5	78	600	490	420	77	50*	50*	330
i4 Modern, 3-sided frame	3-5	78	590	490	380	71	50*	50*	330
i4 Modern, 4-sided frame	3-5	78	635	490	380	72	50*	50*	330
i5	3-9	78	480	550	433	77	20*	20*	350
i6 / i6G	3-9	78	545	625	405	80	20*	50*	350
i7 / i7G	5-9	77	585	775	360	100	20*	100*	500
i8 / i8G	5-9	77	530	735	365	100	20*	100*	500
i30	4-9	81	1250	725	410	135	50*	500**	500
i31	4-9	81	1650	910	500	350-425	0	200**	500
i40	5-10	81	1250	775	425	145	50*	500**	500
i41	5-10	81	1650	910	500	355-425	0	200**	500
i50	6-10	80	1470	765	485	160	50*	700	500
i51	6-10	80	1650	770	500	215-350	0	700	500
i60	5-9	81	1530	585	500	145		500	330
i61	5-9	81	1570	590	500	195-320		500	330

* to firewall

** from surround

Overview – all models

All Contura's stoves can be compared here. For detailed information about flame visibility, measurements, output and options, see the relevant section.

-  Fan
-  Flame visibility
-  The stove is available in black paint
-  The stove is available in grey paint
-  The stove is available in black or grey paint
-  The stove is available in black or white paint
-  The stove is available in black, grey or white paint
-  The tiles are available in white

Contura 26

Contura 26K
Tiles



Contura 26T
Soapstone



Contura 26TL
Soapstone



Contura 34 / 35

Contura 34T
Soapstone



Contura 35T
Soapstone or glass top,
cast iron or glass door



Contura 35
Glass top, cast iron or
glass door



Contura 50 series

Contura 51
Cast iron



Contura 51L
Cast iron



Contura 52
Cast iron



Contura 52T
Cast iron and soapstone



Contura 310 / 320

Contura 310
Steel, cast iron door



Contura 310G
Steel, glass door



Contura 320A
Artstone, cast iron door



Contura 320AG
Artstone, glass door



Contura 320T
Soapstone, cast iron door



Contura 320TG
Soapstone, glass door



Contura 330

Contura 330G
Steel, glass door



Contura 510 Style

Contura 510:1 Style
Painted aluminium door
and top



Contura 510:2 Style
Painted aluminium door,
glass top (only for black)



Contura 510:3 Style
Painted aluminium door,
soapstone top



Contura 510G Style

Contura 510G:1 Style
Glass door, painted
aluminium top



Contura 510G:1 Style
Glass door, painted
aluminium top



Contura 510G:2 Style
Glass door and top



Contura 510G:2 Style
Glass door and top



Contura 510G:3 Style
Glass door, soapstone top



Contura 520 / 556 Style

Contura 520 Style
Steel surround (standard:
Powerstone 100 kg)



Contura 520T
Soapstone surround



Contura 520S Style
Sandstone surround



Contura 556:1 Style
Painted aluminium door
and top



Contura 556:2 Style
Painted aluminium door,
glass top (only for black)



Contura 556:3 Style
Painted aluminium door,
soapstone top



Contura 556G / 556T Style

Contura 556G:1 Style
Painted aluminium top



Contura 556G:1 Style
Painted aluminium top



Contura 556G:2 Style
Glass top



Contura 556G:2 Style
Glass top



Contura 556G:3 Style
Soapstone top



Contura 556T Style
Soapstone



Contura 586 / 586G Style

Contura 586:1 Style
Painted aluminium top



Contura 586:2 Style
Glass top (only for black)



Contura 586:3 Style
Soapstone top



Contura 586G:1 Style
Painted aluminium top



Contura 586G:2 Style
Glass top



Contura 586G:3 Style
Soapstone top



Contura 590 / 596 / 596G / 596T Style

Contura 590T Style
Soapstone



Contura 596:1 Style
Painted aluminium top



Contura 596:2 Style
Glass top (only for black)



Contura 596G:1 Style
Painted aluminium top



Contura 596G:3 Style
Soapstone top



Contura 596T Style
Soapstone



Contura 610 Style

Contura 610:1
Painted aluminium top and
warming shelf



Contura 610:2
Glass top and warming
shelf (only for black)



Contura 610:3
Soapstone top and
warming shelf



Contura 610:4
Painted aluminium top and
front cover



Contura 610:5
Glass top and front cover
(only for black)



Contura 610:6
Soapstone top and front
cover



Contura 610G Style

Contura 610G:1
Painted aluminium top and
warming shelf



Contura 610G:2
Glass top and warming shelf



Contura 610G:3
Soapstone top and
warming shelf



Contura 610G:4
Painted aluminium top and
front cover



Contura 610G:5
Glass top and front cover



Contura 610G:6
Soapstone top and front
cover



Contura 610AG / 620 / 620T Style

Contura 610AG:1
Artstone, glass door,
warming shelf



Contura 610AG:2
Artstone, glass door, front
cover



Contura 620:1
Steel, cast iron door,
warming shelf



Contura 620:2
Steel, cast iron door, front
cover



Contura 620T:1
Soapstone, cast iron door,
warming shelf



Contura 620T:2
Soapstone, glass door,
front cover



Contura 690 / 690G Style

Contura 690:1
Painted aluminium top



Contura 690:2
Glass top



Contura 690:3
Soapstone top



Contura 690G:1
Painted aluminium top



Contura 690G:2
Glass top



Contura 690G:3
Soapstone top



Contura 690AG / 690T Style

Contura 690AG
Artstone, glass door



Contura 690T
Soapstone, cast iron door



Contura 700 series

Contura 710



Contura 720T
Soapstone



Contura 750



Contura 750A
Aluminium sides



Contura 780



Contura 790

Contura 790K
White tiles



Contura 790T
Soapstone



Contura 810 Style / 810G Style

Contura 810:1 Style
Painted aluminum top



Contura 810:2 Style
Glass top



Contura 810:3 Style
Soapstone top



Contura 810G:1 Style
Painted aluminum top



Contura 810G:2 Style
Glass top



Contura 810G:3 Style
Soapstone top



Contura 810L Classic / 820T Style / 820TG Style

Contura 810L Classic
Painted aluminum top



Contura 820T Style
Soapstone



Contura 820TG Style
Soapstone



Contura 856 Style / 856G Style

Contura 856:1 Style
Painted aluminum top



Contura 856:2 Style
Glass top



Contura 856:3 Style
Soapstone top



Contura 856G:1 Style
Painted aluminum top



Contura 856G:2 Style
Glass top



Contura 856G:3 Style
Soapstone top



Contura 856T Style / 856TG Style

Contura 856T Style
Soapstone



Contura 856TG Style
Soapstone



Contura 856W Style / 856WG Style

Contura 856W:1 Style
Painted aluminum top



Contura 856W:2 Style
Glass top



Contura 856W:3 Style
Soapstone top



Contura 856WG:1 Style
Painted aluminum top



Contura 856WG:2 Style
Glass top



Contura 856WG:3 Style
Soapstone top



Contura 870 Style / 870G Style

Contura 870:1 Style
Painted aluminum top



Contura 870:2 Style
Glass top



Contura 870:3 Style
Soapstone top



Contura 870G:1 Style
Painted aluminum top



Contura 870G:2 Style
Glass top



Contura 870G:3 Style
Soapstone top



Contura 886 Style / 886G Style

Contura 886:1 Style
Painted aluminum top



Contura 886:2 Style
Glass top



Contura 886:3 Style
Soapstone top



Contura 886G:1 Style
Painted aluminum top



Contura 886G:2 Style
Glass top



Contura 886G:3 Style
Soapstone top



Contura 890 Style / 890G Style

Contura 890:1 Style
Painted aluminum top



Contura 890:2 Style
Glass top



Contura 890:3 Style
Soapstone top



Contura 890G:1 Style
Painted aluminum top



Contura 890G:2 Style
Glass top



Contura 890G:3 Style
Soapstone top



Contura 890T Style / 890TG Style

Contura 890T Style
Soapstone



Contura 890TG Style
Soapstone



Contura 896 Style / 896G Style

Contura 896:1 Style
Painted aluminum top



Contura 896:2 Style
Glass top



Contura 896:3 Style
Soapstone top



Contura 896G:1 Style
Painted aluminum top



Contura 896G:2 Style
Glass top



Contura 896G:3 Style
Soapstone top



Contura i4

Contura i4 Classic



Contura i4 Modern
4-sided frame



Contura i4 Modern
3-sided frame



Contura i5

Contura i5, panorama



Contura i5, double door



Contura i5L, panorama
With short legs



Contura i5L, double door
With short legs



Contura i6

Contura i6



Contura i6G



Contura i7

Contura i7



Contura i7G



Contura i8

Contura i8
glass on both sides



Contura i8
glass on left or right side



Contura i8G
glass on both sides



Contura i8G
glass on left or right side



Contura i30 / i31T

Contura i30
Insert



Contura i31T
Soapstone



Contura i31T
Soapstone, shelves in black granite



Contura i31T
Soapstone, shelves and bench in black granite



Contura i31A / i31S

Contura i31A
Artstone



Contura i31S
Sandstone



Contura i31S
Sandstone, shelves in black granite



Contura i31S
Sandstone, shelves and bench in black granite



Contura i40 / i41T

Contura i40
Insert



Contura i41T
Soapstone



Contura i41T
Soapstone, shelf in black granite



Contura i41T
Soapstone, shelf and bench in black granite



Contura i41A

Contura i41A
Artstone



Contura i41A
Artstone, shelf in black granite



Contura i41A
Artstone, shelf and bench in black granite



Inserts are available in both right-hand and left-hand versions.

Contura i41S

Contura i41S
Sandstone



Contura i41S
Sandstone, shelf in black granite



Contura i41S
Sandstone, shelf and bench in black granite



Inserts are available in both right-hand and left-hand versions.

Contura i50 / i51

Contura i50
Insert



Contura i51
Steel, Black



Contura i51
Steel, White



Contura i51T
Soapstone



Contura i51

Contura i51AN
Artstone, natural



Contura i51S
Sandstone



Contura i51A
Artstone, white



Supplement with a black painted steel log box.

Contura i60 / i61

Contura i60
Insert



Contura i61
Steel, Black



Contura i61
Steel, White



Contura i61A / i61T

Contura i61AN
Artstone, natural



Contura i61A
Artstone, white



Contura i61T
Soapstone

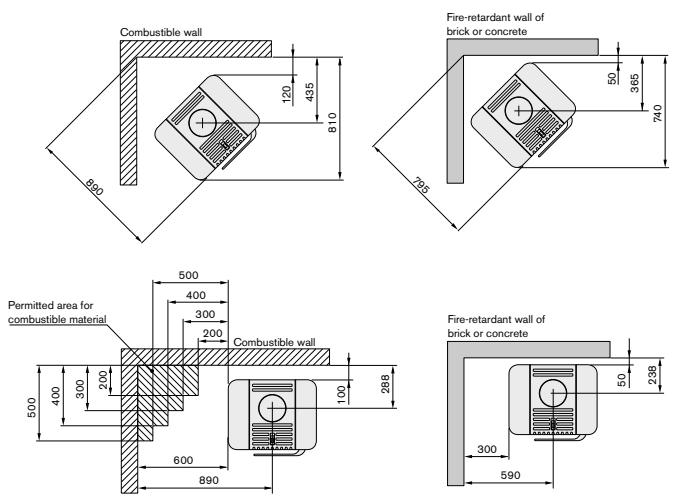
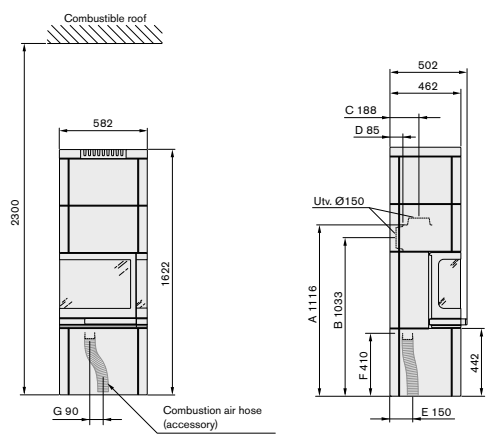


Dimension diagrams

Detailed dimensions diagrams for all Contura stoves are here so that you can plan positioning and installation.

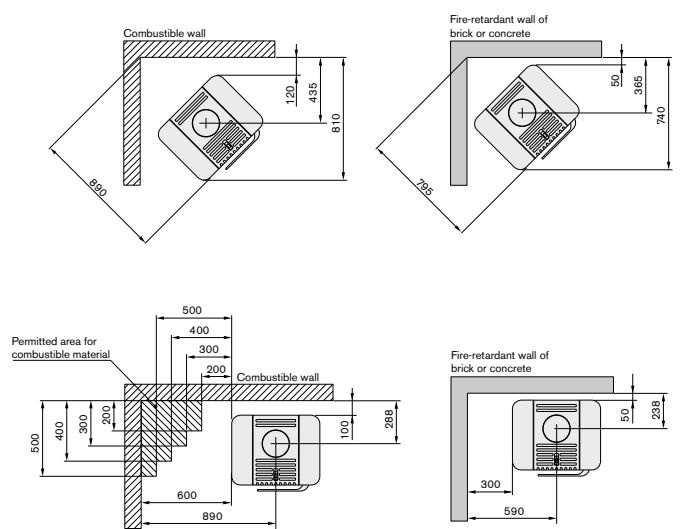
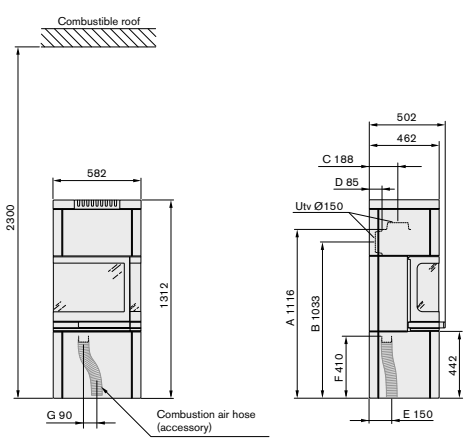
26K, 26T

- A = height from floor to chimney connection upwards
- B = height from floor to c/c chimney connection rear
- C = distance from back to c/c chimney connection upwards
- D = distance from back to chimney connection rear
- E = distance from back to hole in guide plate
- F = height from floor to air inlet connector (410 mm)



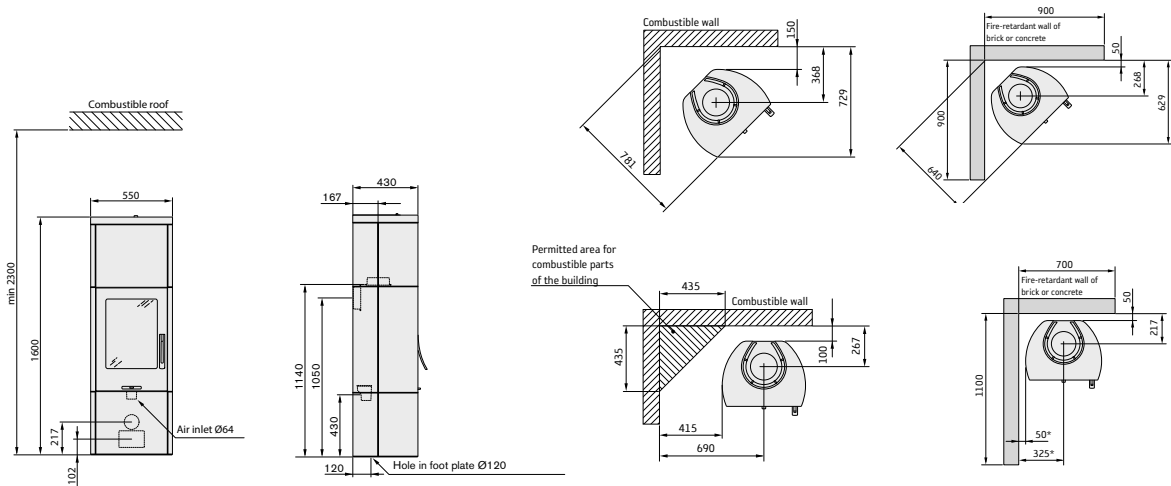
26KL, 26TL

- A = height from floor to chimney connection upwards
- B = height from floor to c/c chimney connection rear
- C = distance from back to c/c chimney connection upwards
- D = distance from back to chimney connection rear
- E = distance from back to hole in guide plate
- F = height from floor to air inlet connector (410 mm)

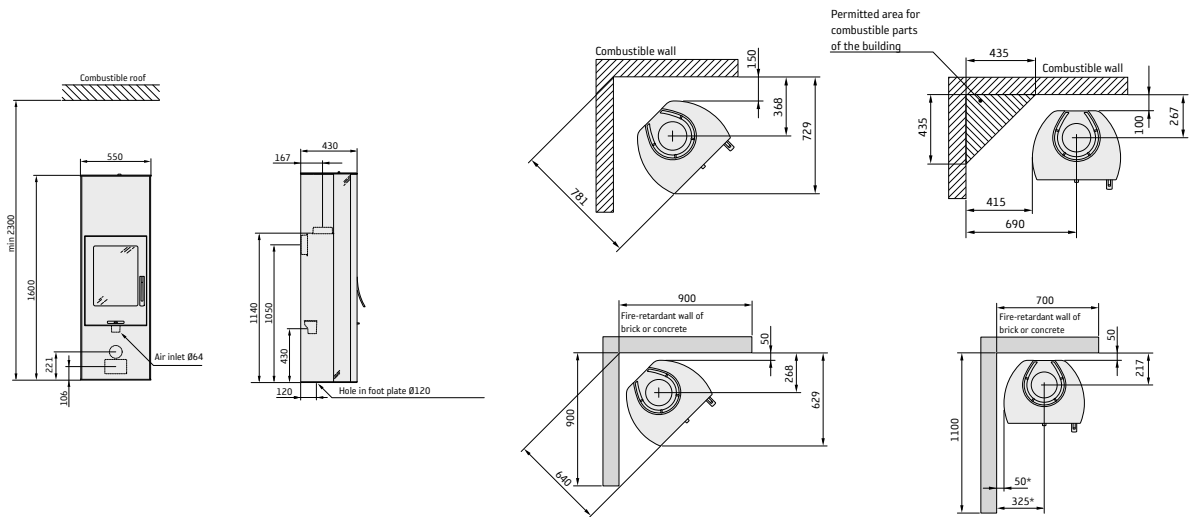


** To prevent discolouration of painted non-flammable walls we recommend that the same side distance as to combustible walls is used. When using the 20 series prefabricated hearth plates, observe the different dimensions of combustion air holes in the hearth plate and stove.

34T

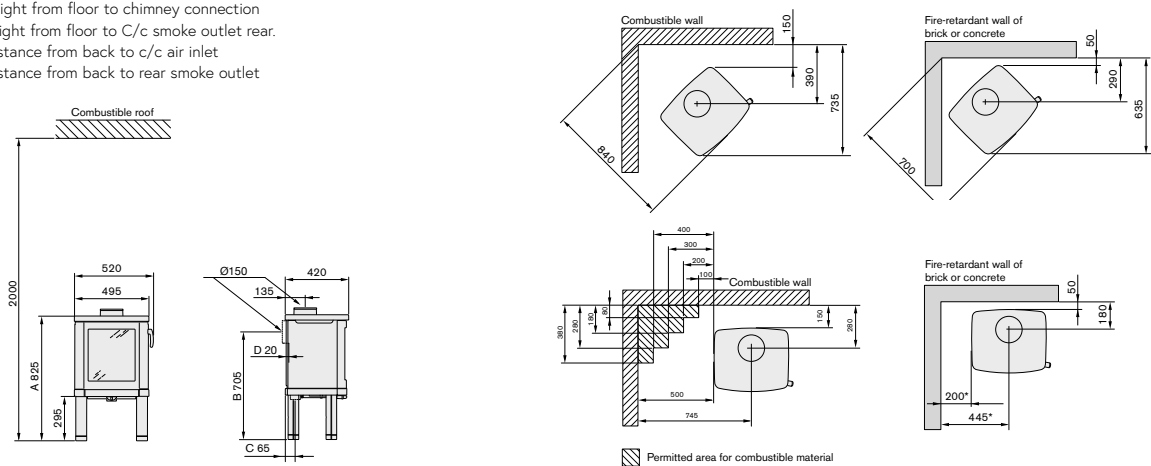


35



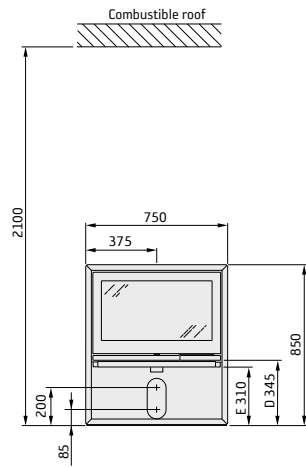
51, 52, 52T

- A = height from floor to chimney connection
- B = height from floor to C/c smoke outlet rear.
- C = distance from back to c/c air inlet
- D = distance from back to rear smoke outlet

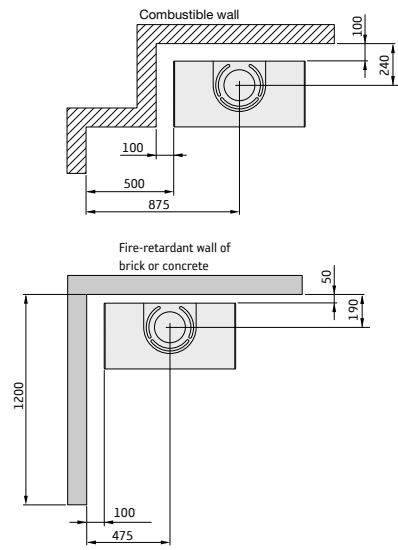
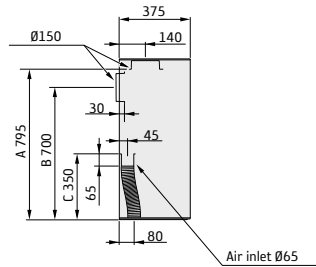


** To prevent discolouration of painted non-flammable walls we recommend that the same side distance as to combustible walls is used.

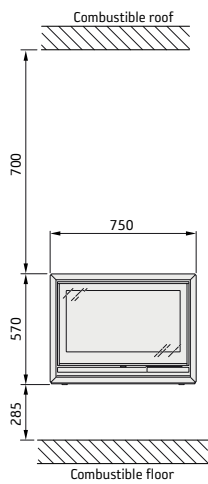
310 / 310G / 320 / 320G



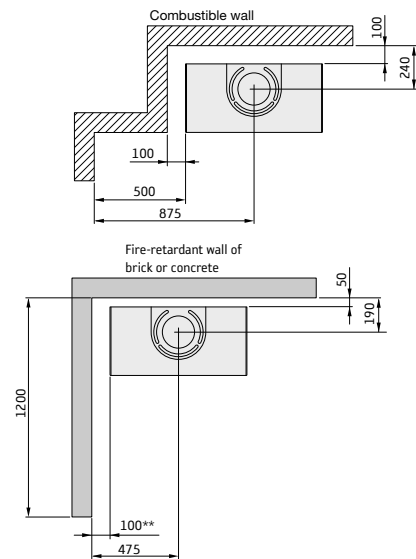
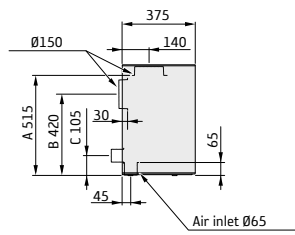
* See Installation Instructions



330G

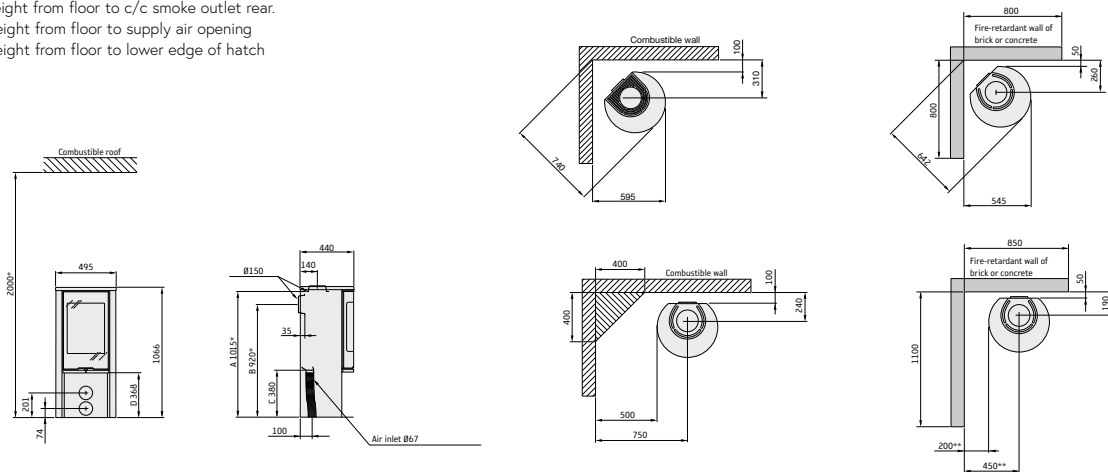


* See Installation Instructions



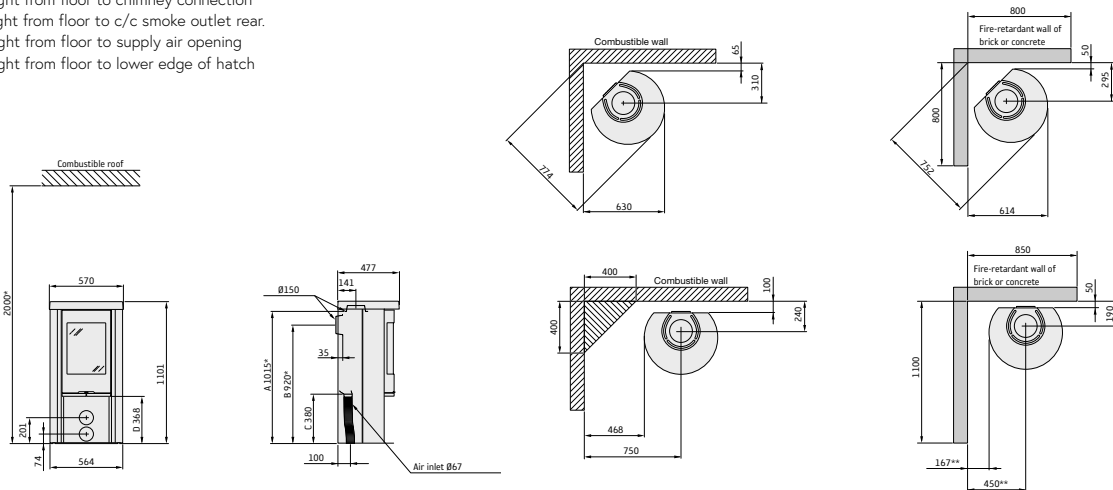
510 / 510G Style

A = height from floor to chimney connection
 B = height from floor to c/c smoke outlet rear.
 C = height from floor to supply air opening
 D = height from floor to lower edge of hatch



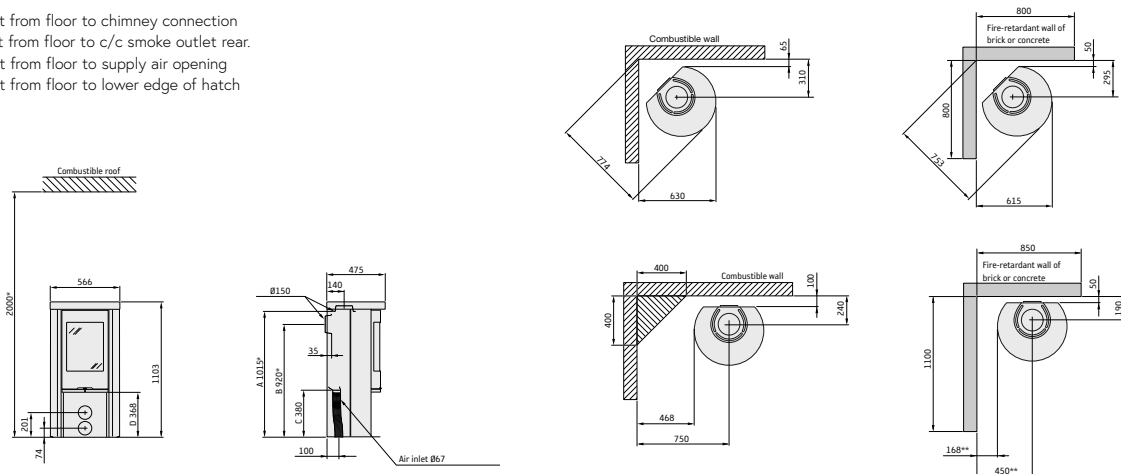
520 Style

A = height from floor to chimney connection
 B = height from floor to c/c smoke outlet rear.
 C = height from floor to supply air opening
 D = height from floor to lower edge of hatch



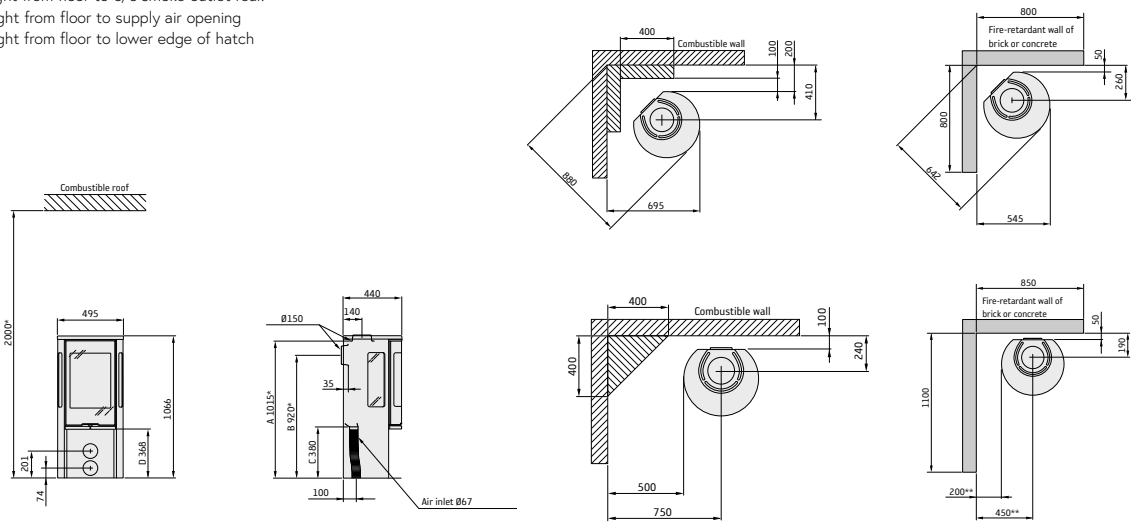
520T Style

A = height from floor to chimney connection
 B = height from floor to c/c smoke outlet rear.
 C = height from floor to supply air opening
 D = height from floor to lower edge of hatch



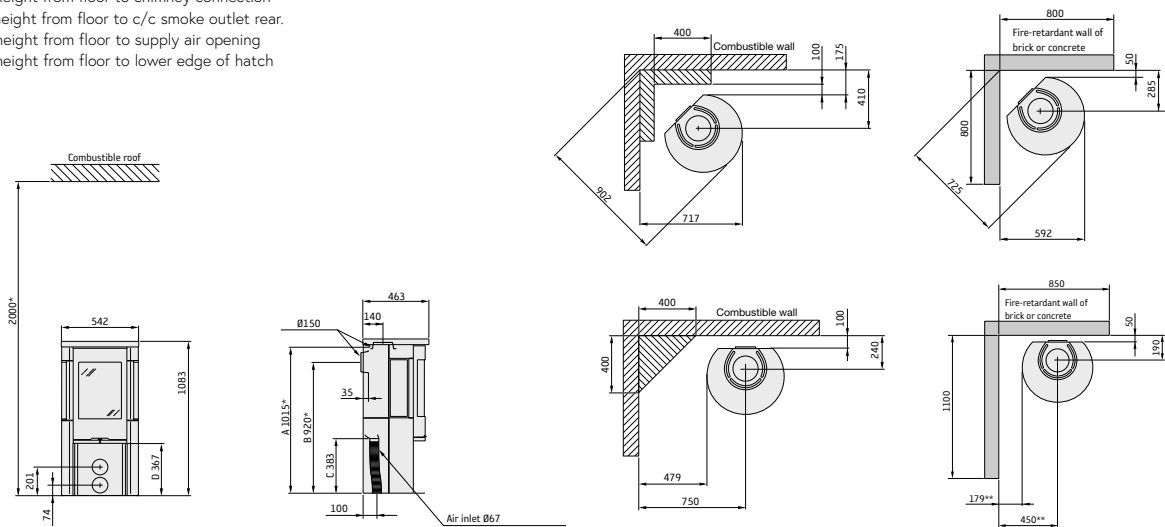
556 / 556G Style

A = height from floor to chimney connection
 B = height from floor to c/c smoke outlet rear.
 C = height from floor to supply air opening
 D = height from floor to lower edge of hatch



556T Style

A = height from floor to chimney connection
 B = height from floor to c/c smoke outlet rear.
 C = height from floor to supply air opening
 D = height from floor to lower edge of hatch



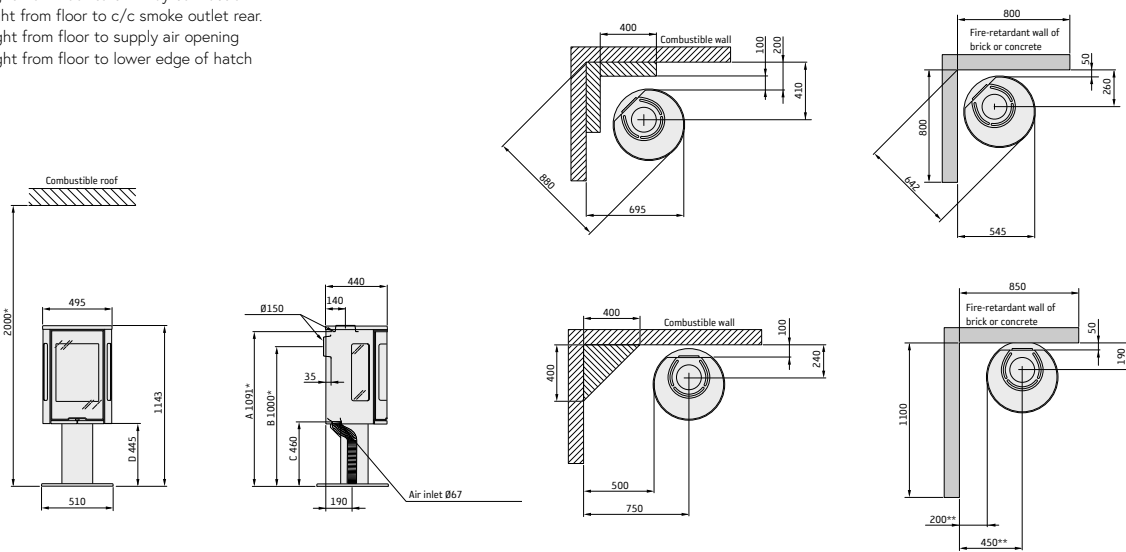
* If the stove is positioned on a turntable the stated installation distances do not apply.

Note: The glass hearth plate increases the distance above the floor by approximately 10 mm.

** To prevent discolouration of painted non-flammable walls we recommend that the same side distance as to combustable walls is used.

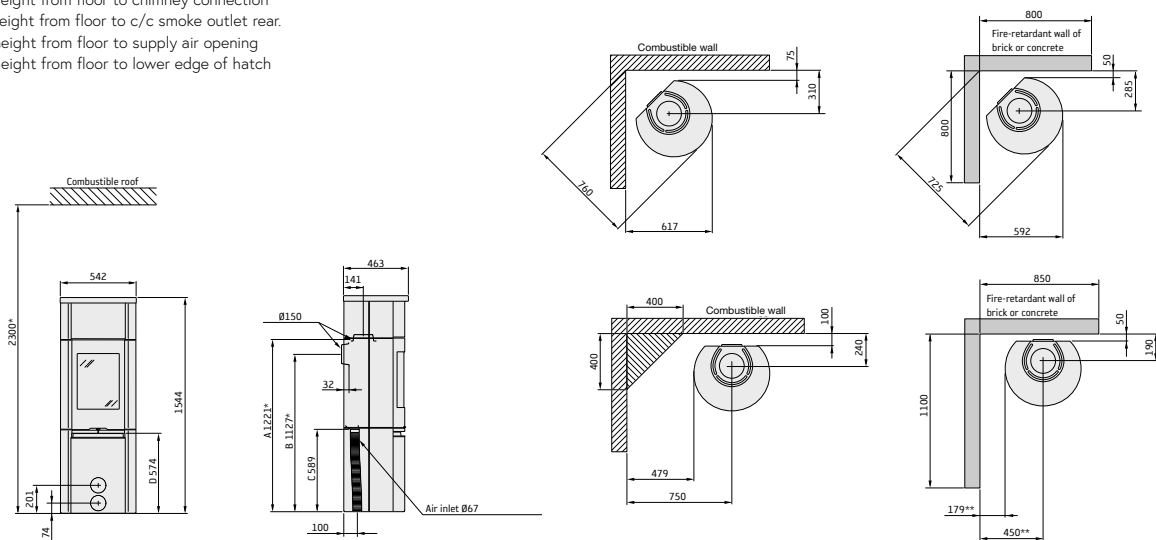
586 / 586G Style

A = height from floor to chimney connection
 B = height from floor to c/c smoke outlet rear.
 C = height from floor to supply air opening
 D = height from floor to lower edge of hatch



590T Style

A = height from floor to chimney connection
 B = height from floor to c/c smoke outlet rear.
 C = height from floor to supply air opening
 D = height from floor to lower edge of hatch

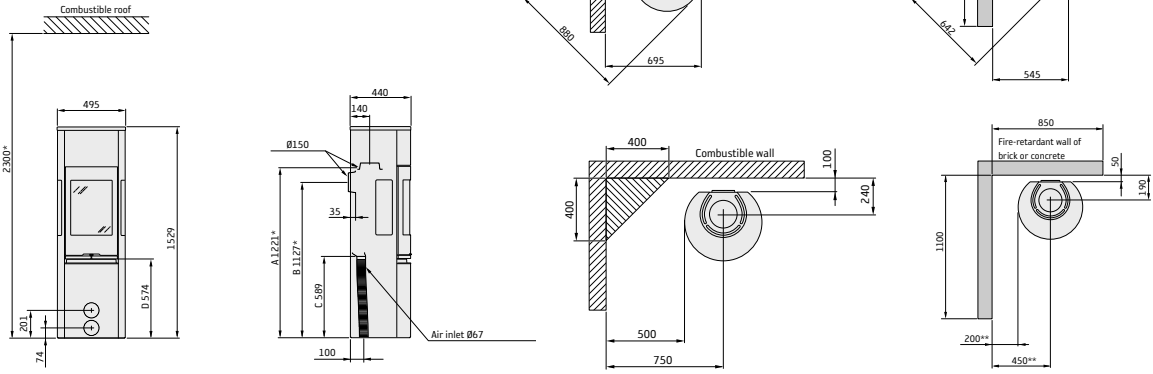


* To prevent discolouration of painted non-flammable walls we recommend that the same side distance as to combustable walls is used.

Note: If the stove is positioned on a turntable the stated installation distances do not apply. Note: The glass hearth plate increases the distance above the floor by approximately 10 mm.

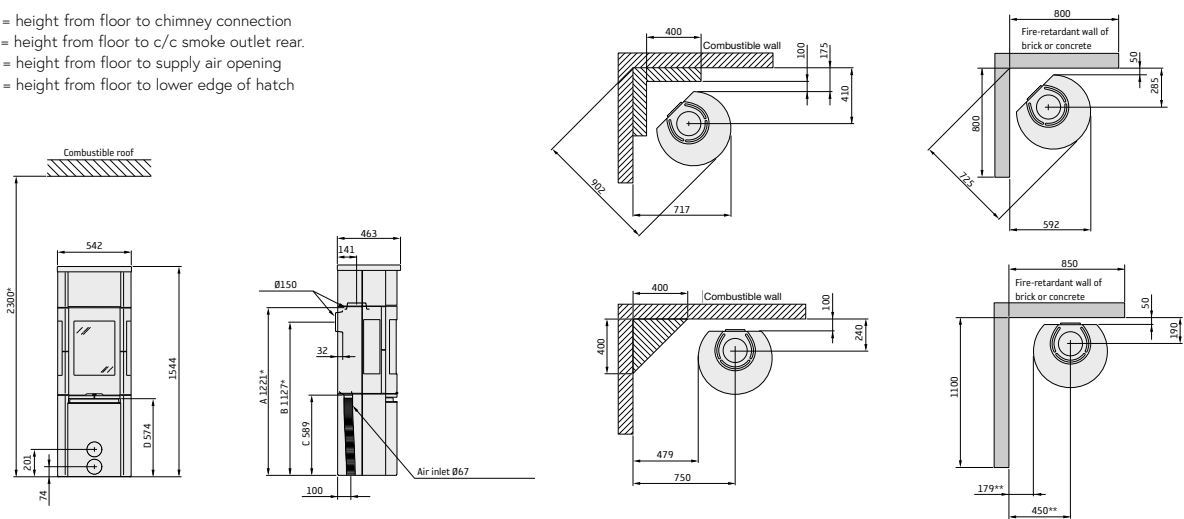
596 / 596G Style

- A = height from floor to chimney connection
- B = height from floor to c/c smoke outlet rear.
- C = height from floor to supply air opening
- D = height from floor to lower edge of hatch



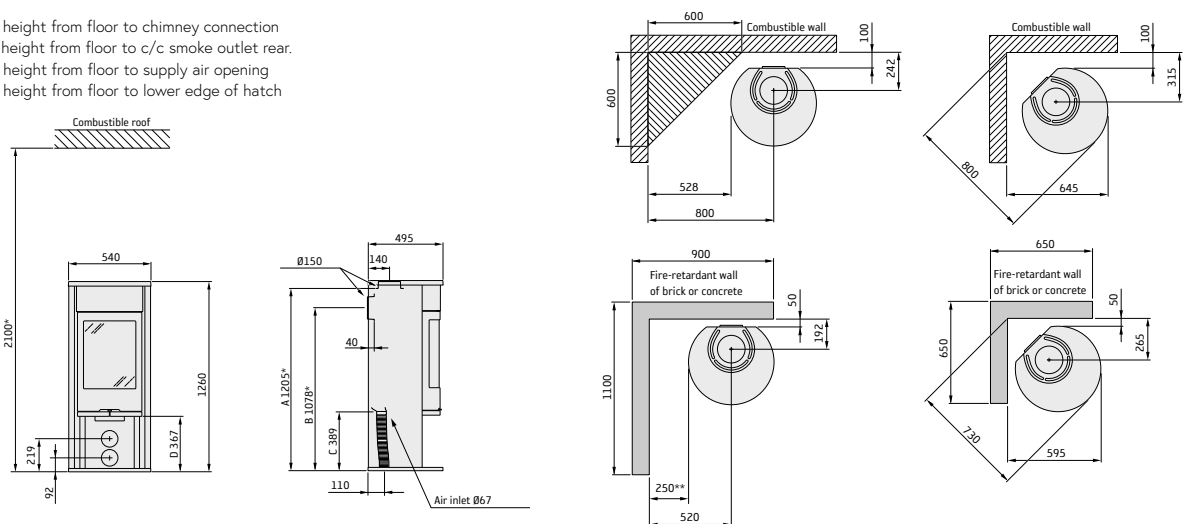
596T Style

- A = height from floor to chimney connection
- B = height from floor to c/c smoke outlet rear.
- C = height from floor to supply air opening
- D = height from floor to lower edge of hatch



610 / 610G Style

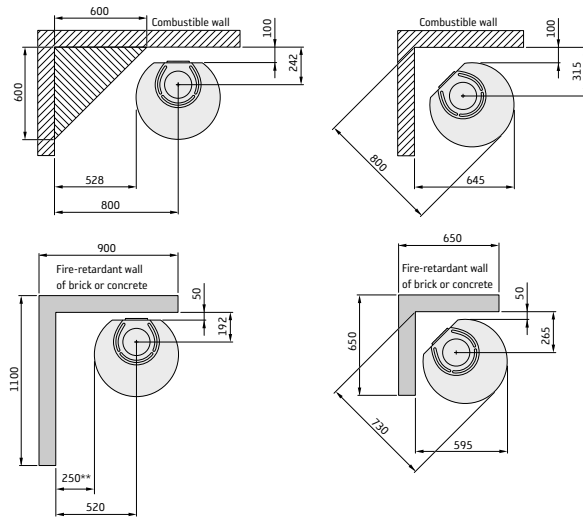
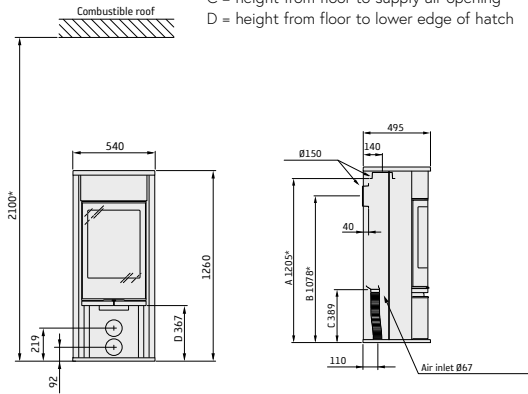
- A = height from floor to chimney connection
- B = height from floor to c/c smoke outlet rear.
- C = height from floor to supply air opening
- D = height from floor to lower edge of hatch



* To prevent discolouration of painted non-flammable walls we recommend that the same side distance as to combustible walls is used.
 Note: If the stove is positioned on a turntable the stated installation distances do not apply.
 Note: The glass hearth plate increases the distance above the floor by approximately 10 mm.

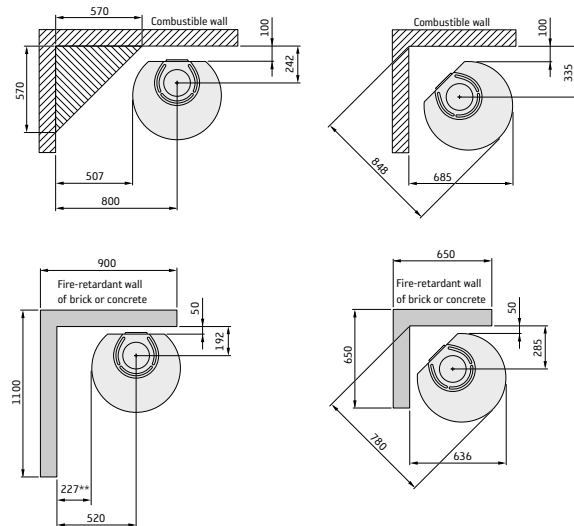
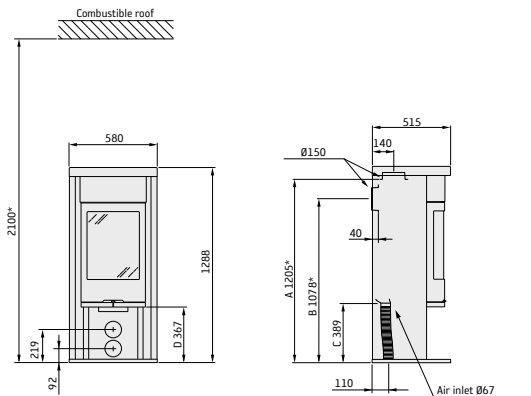
610AG Style

A = height from floor to chimney connection
 B = height from floor to c/c smoke outlet rear.
 C = height from floor to supply air opening
 D = height from floor to lower edge of hatch



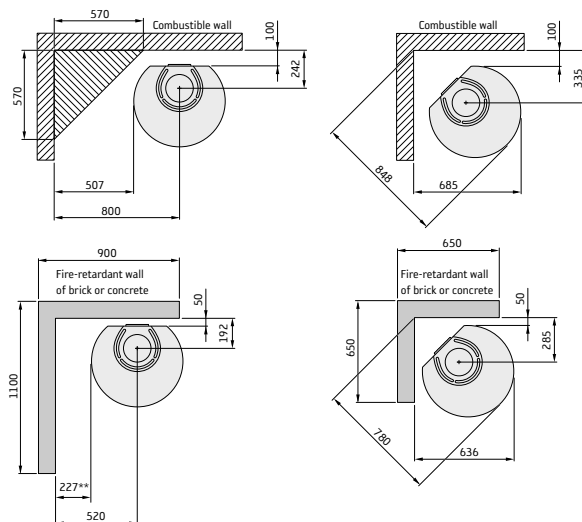
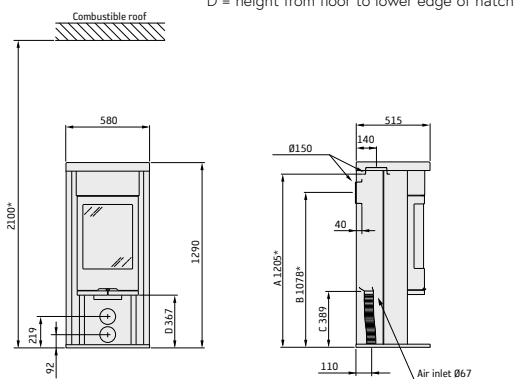
620 Style

A = height from floor to chimney connection
 B = height from floor to c/c smoke outlet rear.
 C = height from floor to supply air opening
 D = height from floor to lower edge of hatch



620T Style

A = height from floor to chimney connection
 B = height from floor to c/c smoke outlet rear.
 C = height from floor to supply air opening
 D = height from floor to lower edge of hatch



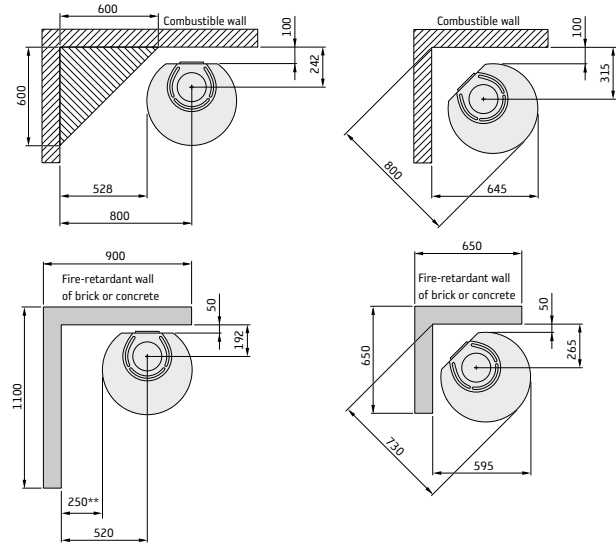
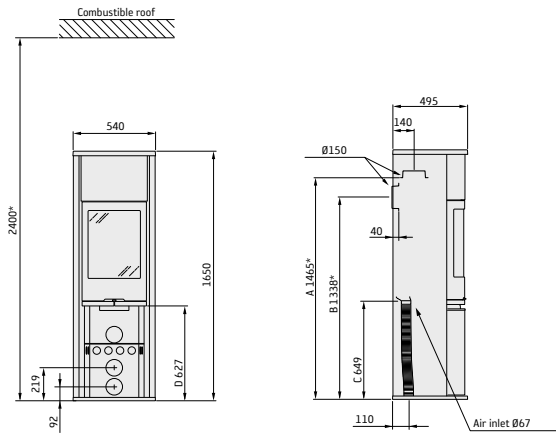
* If the stove is positioned on a turntable the stated installation distances do not apply.

Note: The glass hearth plate increases the distance above the floor by approximately 10 mm.

** To prevent discolouration of painted non-flammable walls we recommend that the same side distance as to combustable walls is used.

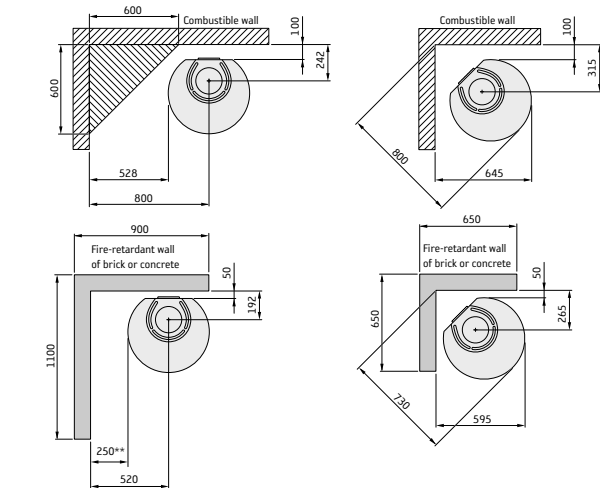
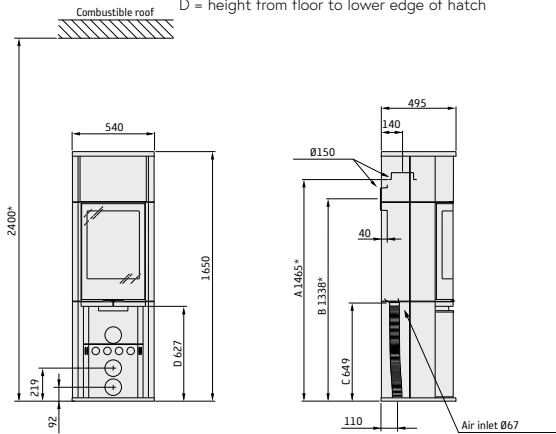
690 / 690G Style

A = height from floor to chimney connection
 B = height from floor to c/c smoke outlet rear.
 C = height from floor to supply air opening
 D = height from floor to lower edge of hatch



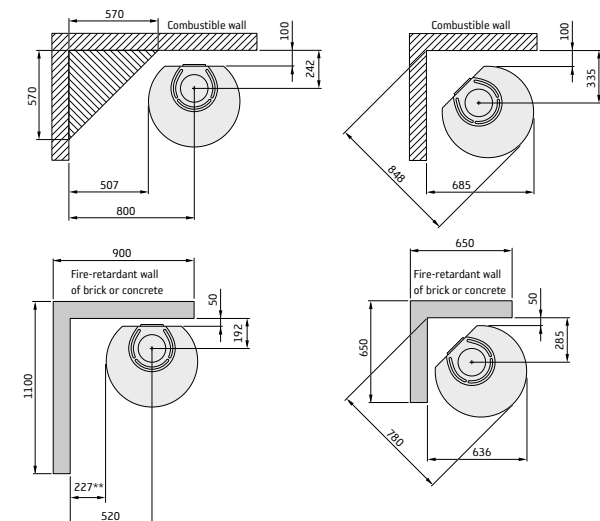
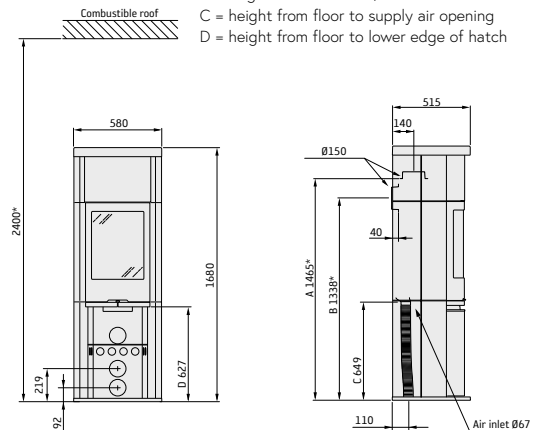
690AG Style

A = height from floor to chimney connection
 B = height from floor to c/c smoke outlet rear.
 C = height from floor to supply air opening
 D = height from floor to lower edge of hatch



690T Style

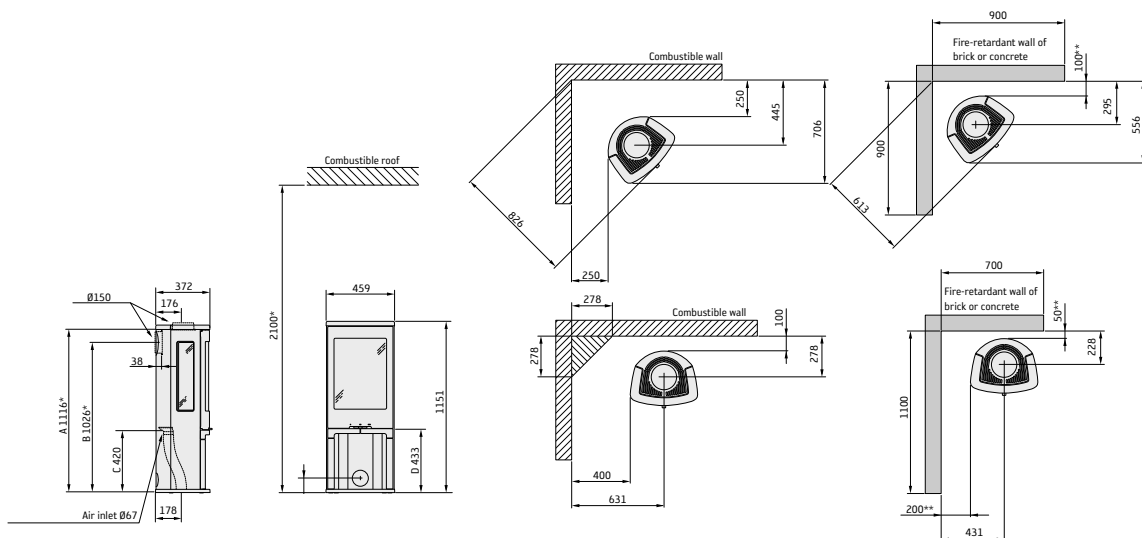
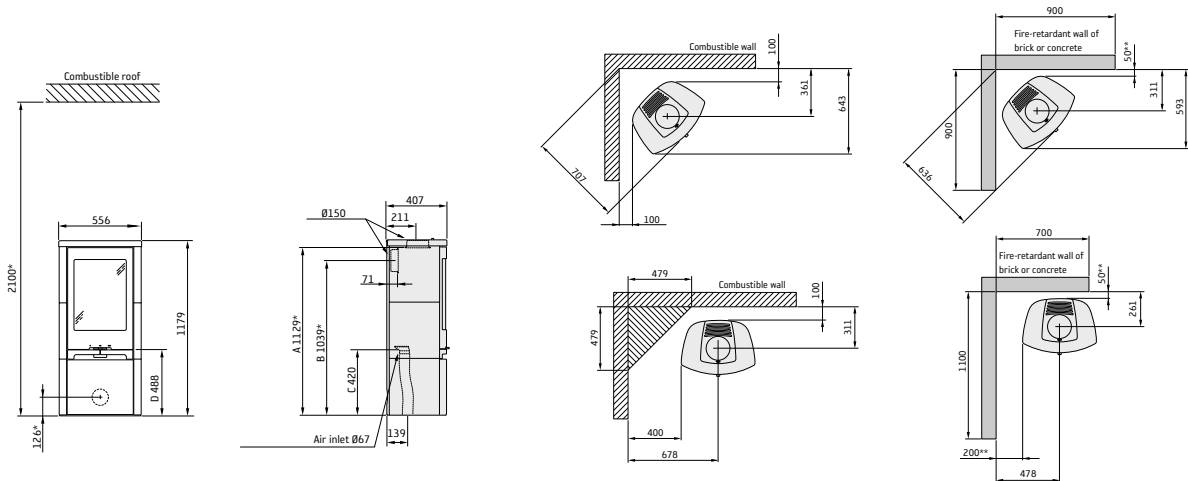
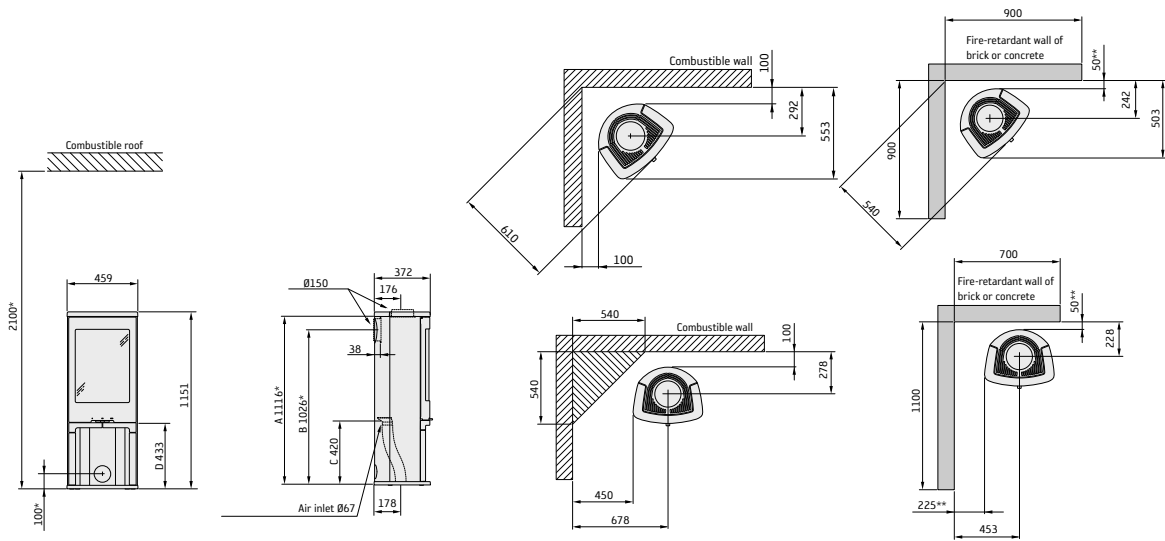
A = height from floor to chimney connection
 B = height from floor to c/c smoke outlet rear.
 C = height from floor to supply air opening
 D = height from floor to lower edge of hatch



* If the stove is positioned on a turntable the stated installation distances do not apply.

Note: The glass hearth plate increases the distance above the floor by approximately 10 mm.

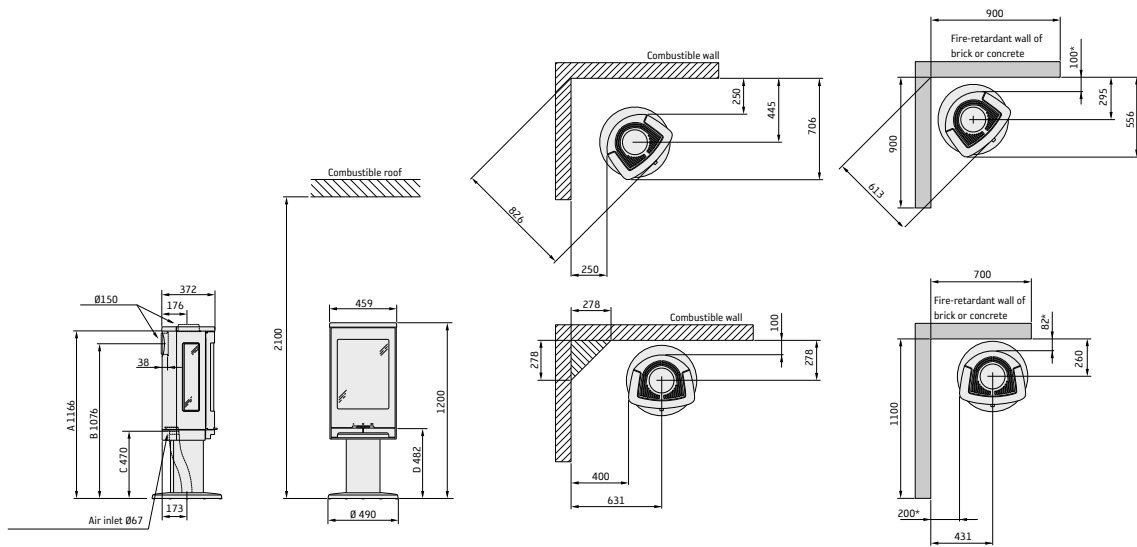
** To prevent discolouration of painted non-flammable walls we recommend that the same side distance as to combustable walls is used.



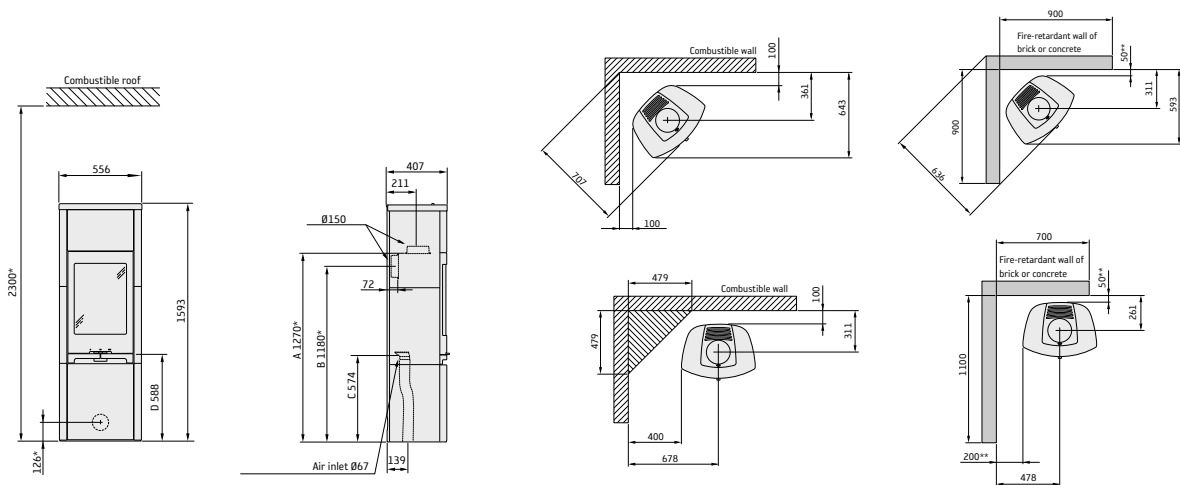
* If the stove is positioned on a turntable the stated installation distances do not apply.

Note: The glass hearth plate increases the distance above the floor by approximately 10 mm.

** To prevent discolouration of painted non-flammable walls we recommend that the same side distance as to combustible walls is used.



790K / 790T

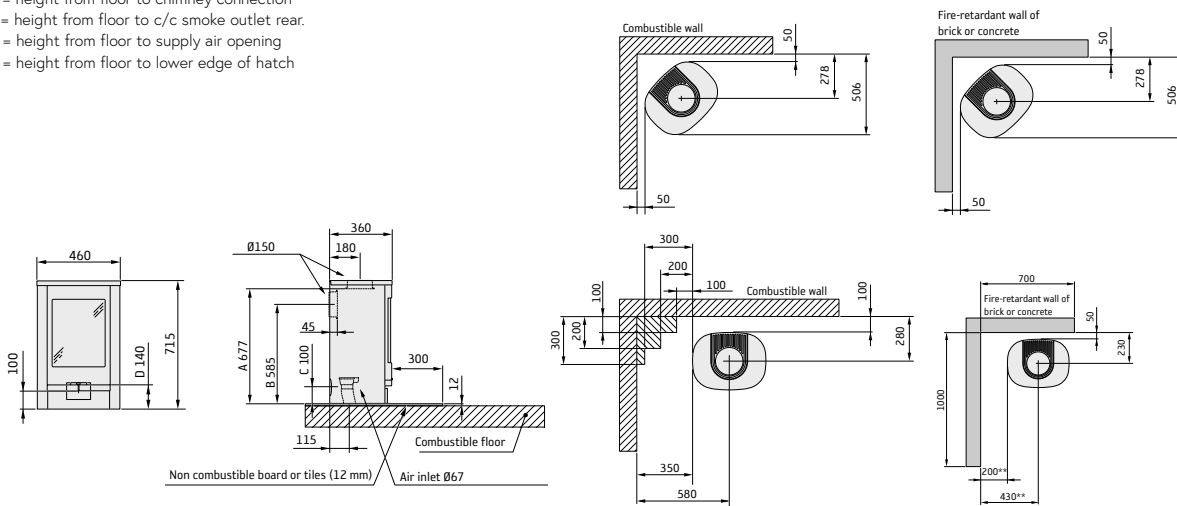


* If the stove is positioned on a turntable the stated installation distances do not apply.
 Note: The glass hearth plate increases the distance above the floor by approximately 10 mm.

** To prevent discolouration of painted non-flammable walls we recommend that the same side distance as to combustible walls is used.

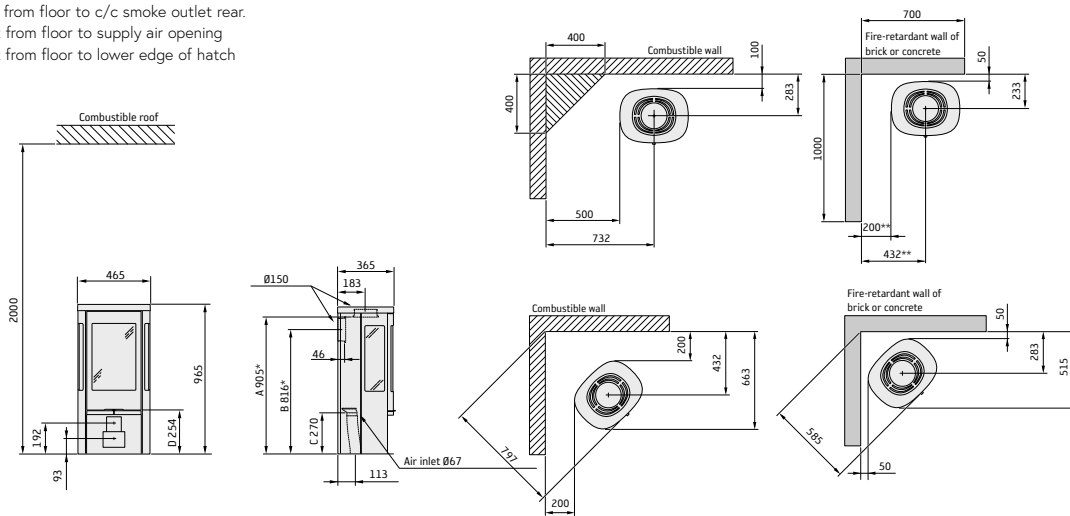
810L Classic

A = height from floor to chimney connection
 B = height from floor to c/c smoke outlet rear.
 C = height from floor to supply air opening
 D = height from floor to lower edge of hatch



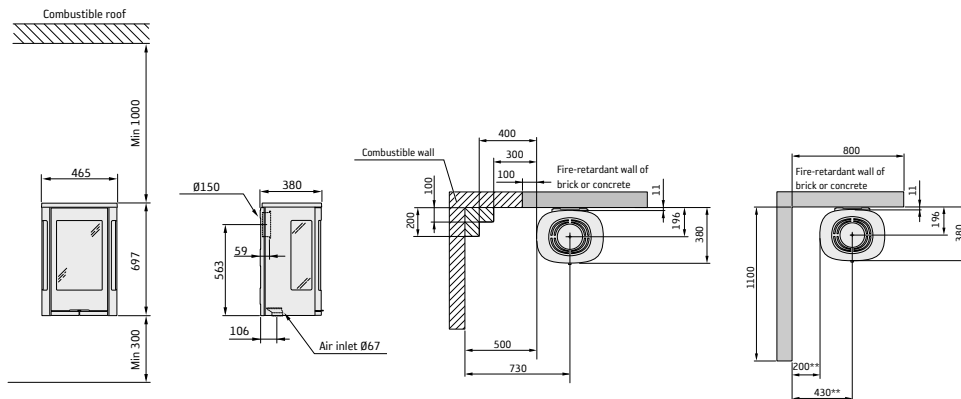
856T Style / 856TG Style

A = height from floor to chimney connection
 B = height from floor to c/c smoke outlet rear.
 C = height from floor to supply air opening
 D = height from floor to lower edge of hatch



856W Style / 856WG Style

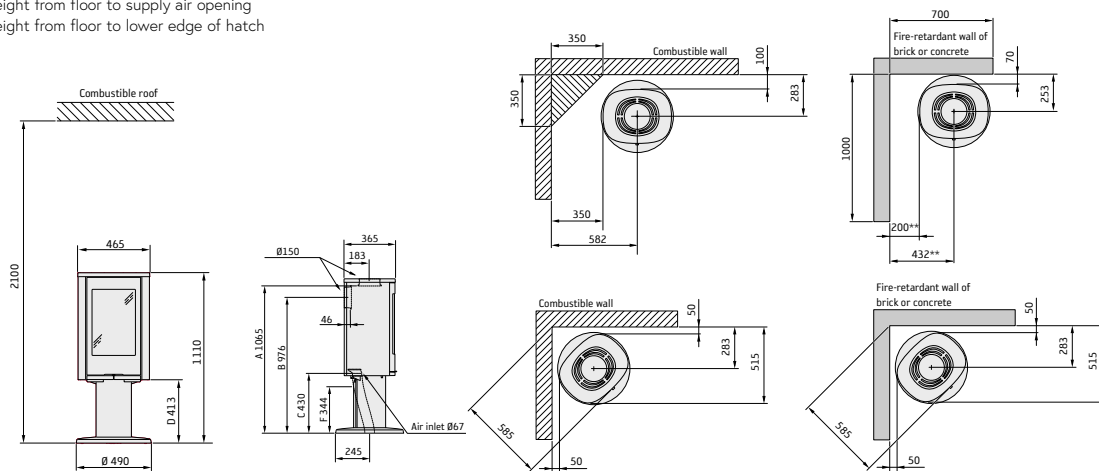
The minimum safety distance in front of the stove opening to combustible building structures or furnishings must be at least 1.2 m.



*Soapstone top adds 15mm to height.

870 Style / 870G Style

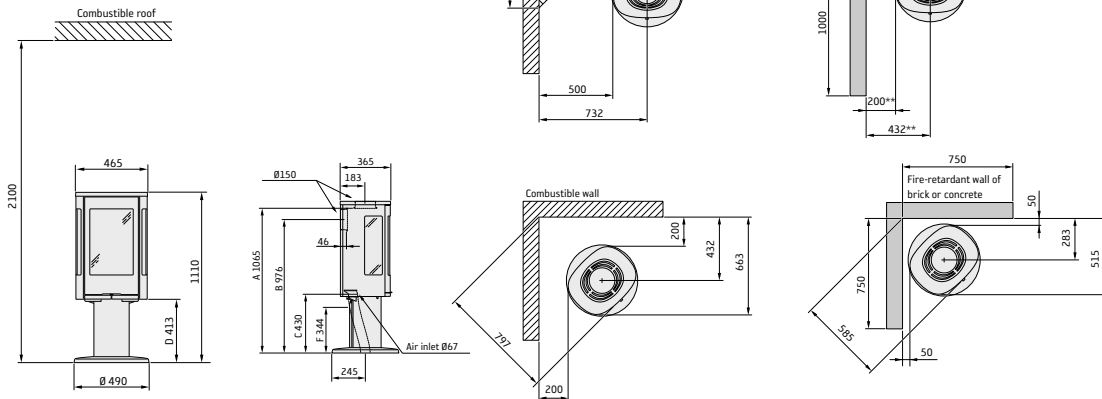
A = height from floor to chimney connection
 B = height from floor to c/c smoke outlet rear.
 C = height from floor to supply air opening
 D = height from floor to lower edge of hatch



*Soapstone top adds 15mm to height.

886 Style / 886G Style

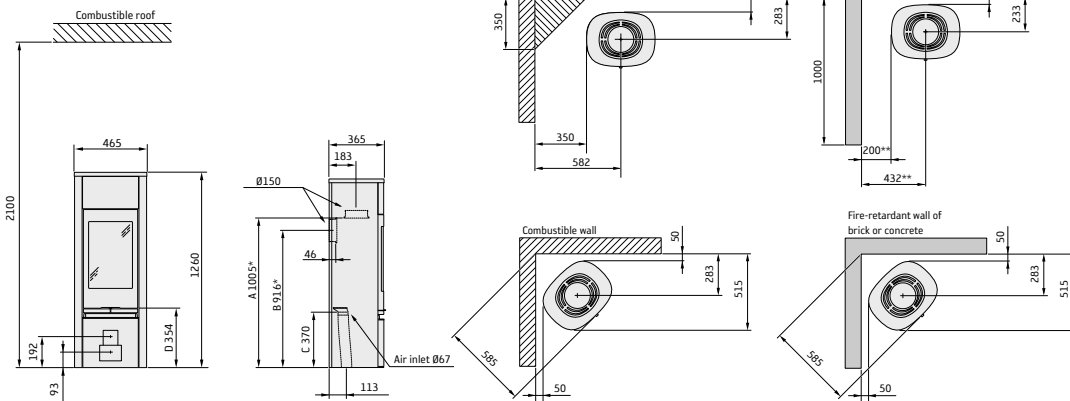
- A = height from floor to chimney connection
- B = height from floor to c/c smoke outlet rear.
- C = height from floor to supply air opening
- D = height from floor to lower edge of hatch



*Soapstone top adds 15mm to height.

890 Style / 890G Style

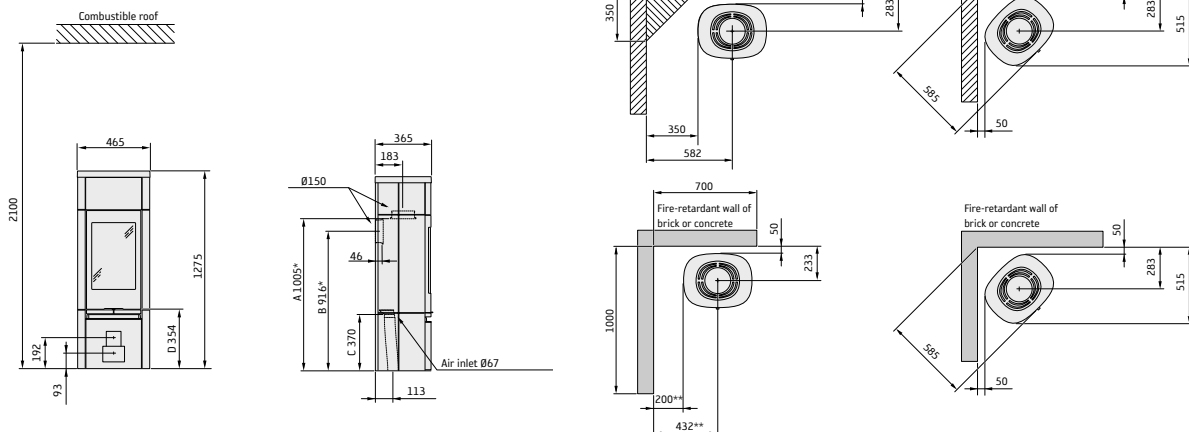
- A = height from floor to chimney connection
- B = height from floor to c/c smoke outlet rear.
- C = height from floor to supply air opening
- D = height from floor to lower edge of hatch



*Soapstone top adds 15mm to height.

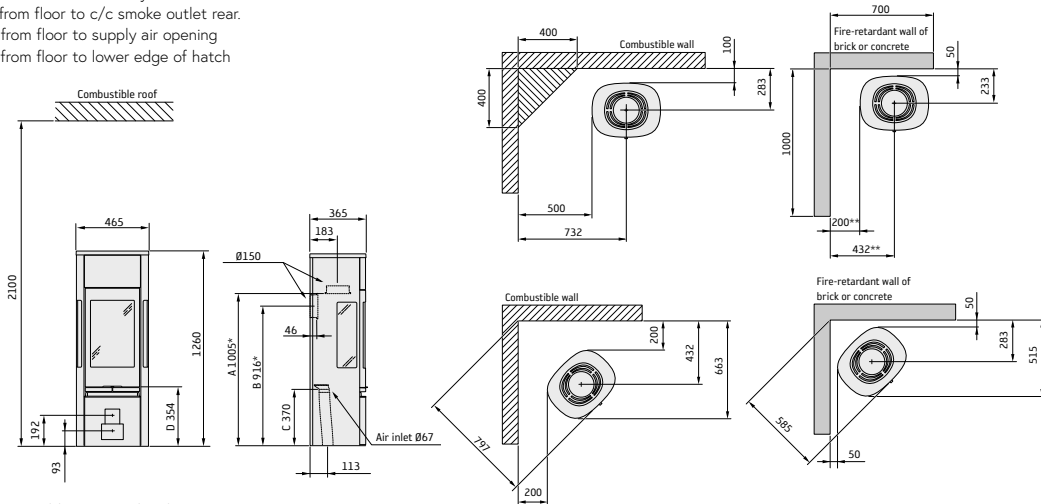
890T Style / 890TG Style

- A = height from floor to chimney connection
- B = height from floor to c/c smoke outlet rear.
- C = height from floor to supply air opening
- D = height from floor to lower edge of hatch



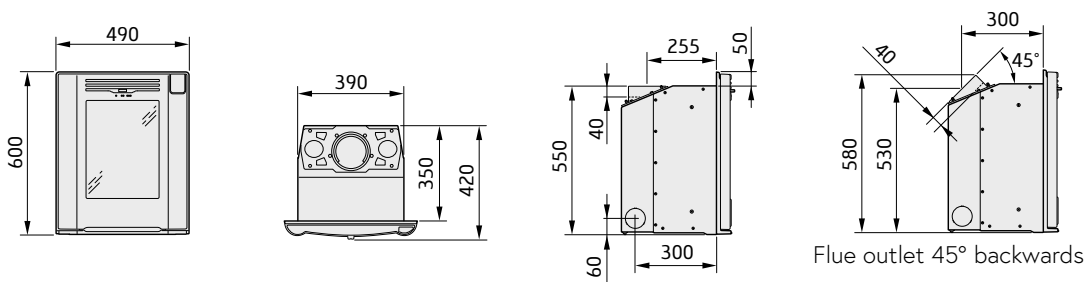
896 Style / 896G Style

A = height from floor to chimney connection
 B = height from floor to c/c smoke outlet rear.
 C = height from floor to supply air opening
 D = height from floor to lower edge of hatch

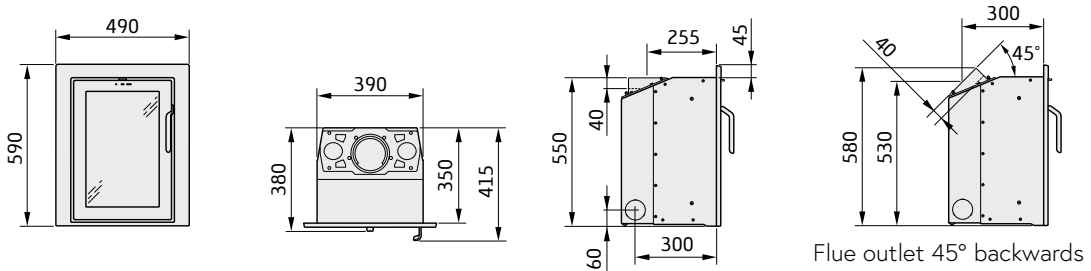


*Soapstone top adds 15mm to height.

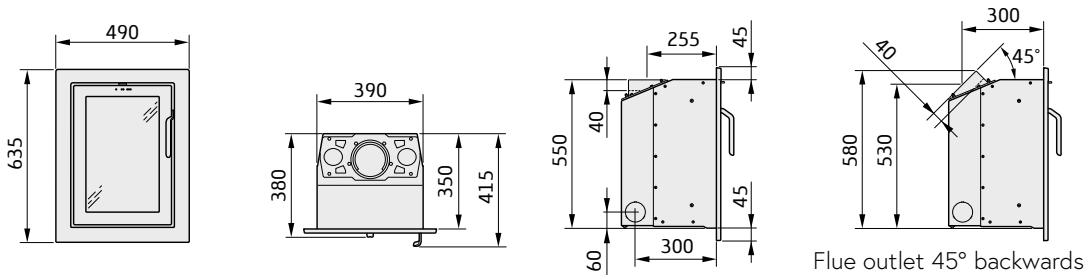
i4 Classic



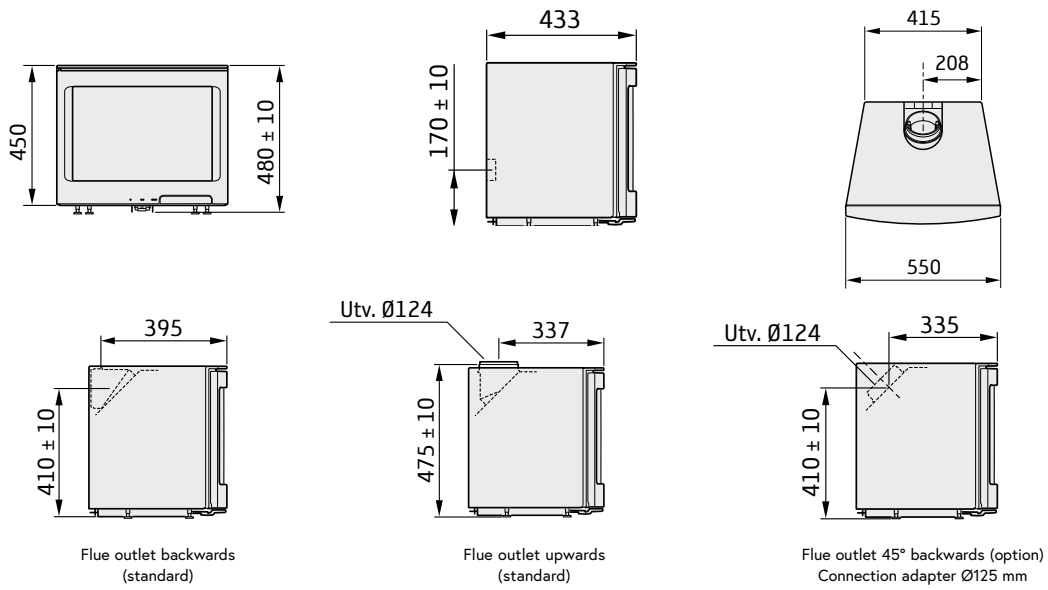
i4 Modern 3-sided frame



i4 Modern 4-sided frame



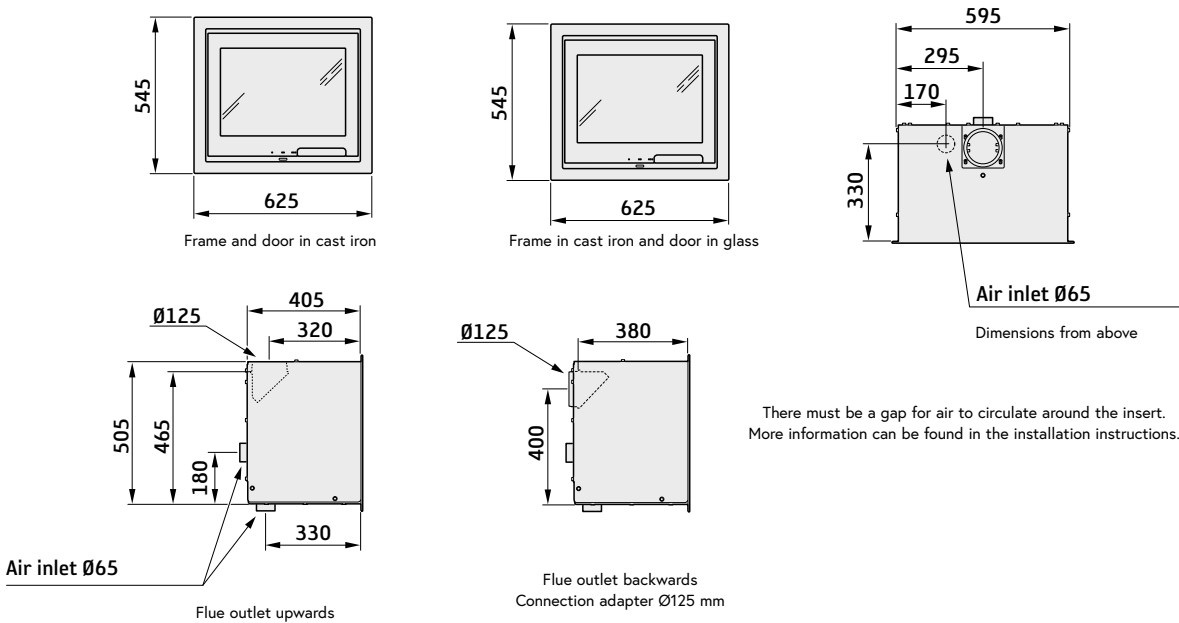
i5



Cast iron leg set (i5L) adds 65mm to the height.

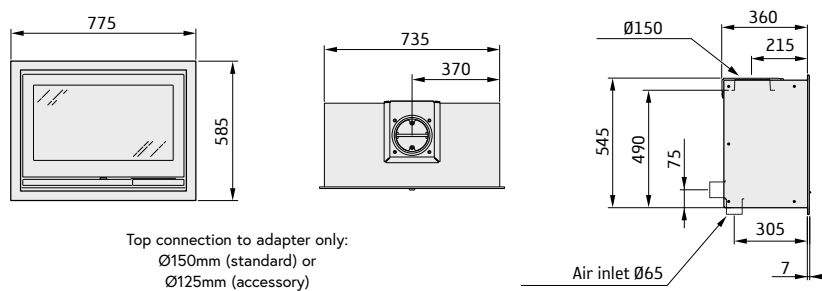
There must be a gap for air to circulate around the insert.
More information can be found in the installation instructions.

i6

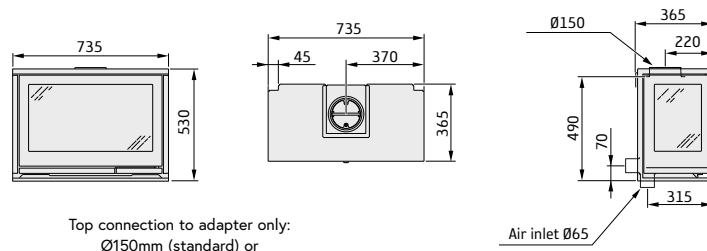


There must be a gap for air to circulate around the insert.
More information can be found in the installation instructions.

i7

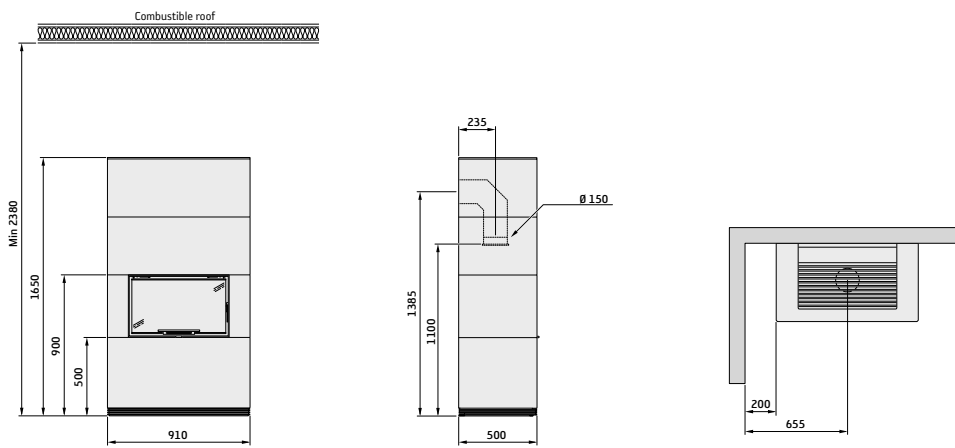


i8

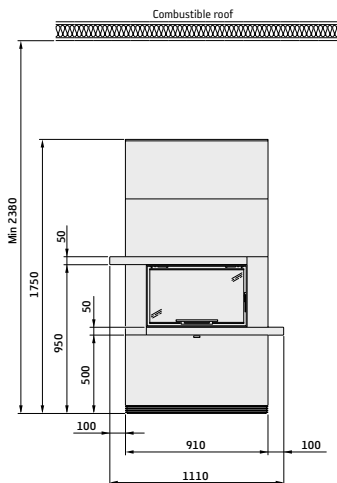


Top connection to adapter only:
 $\text{Ø}150$ mm (standard) or
 $\text{Ø}125$ mm (accessory)

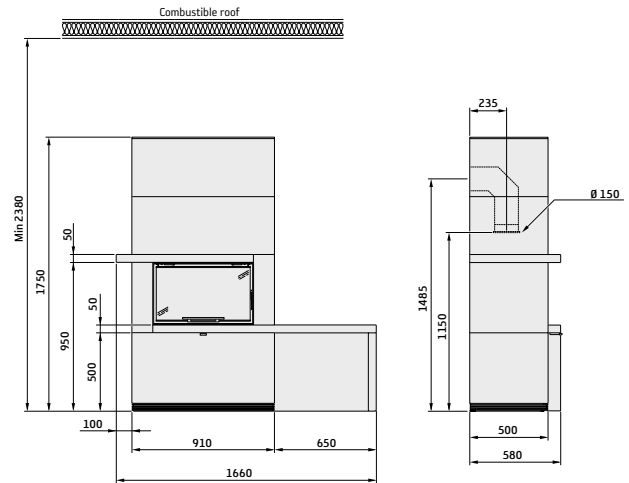
i31 without shelves and bench



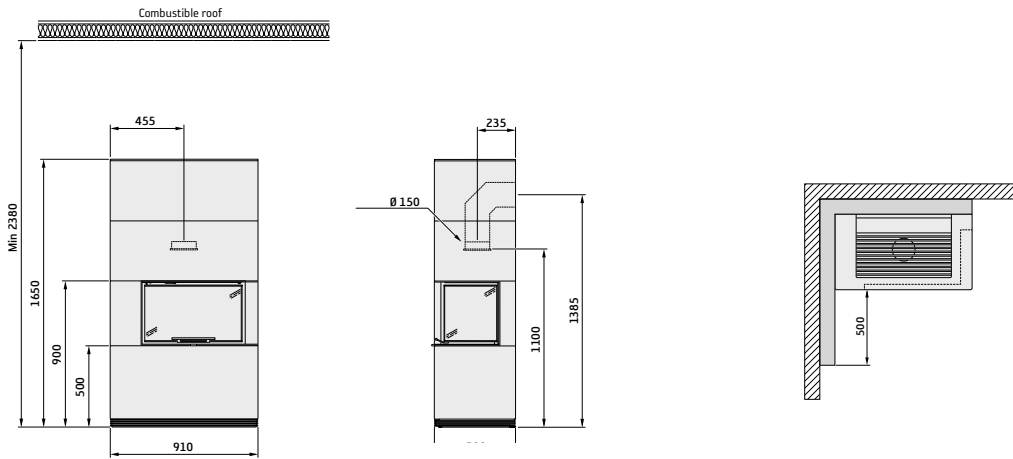
i31 with shelves



i31 with bench

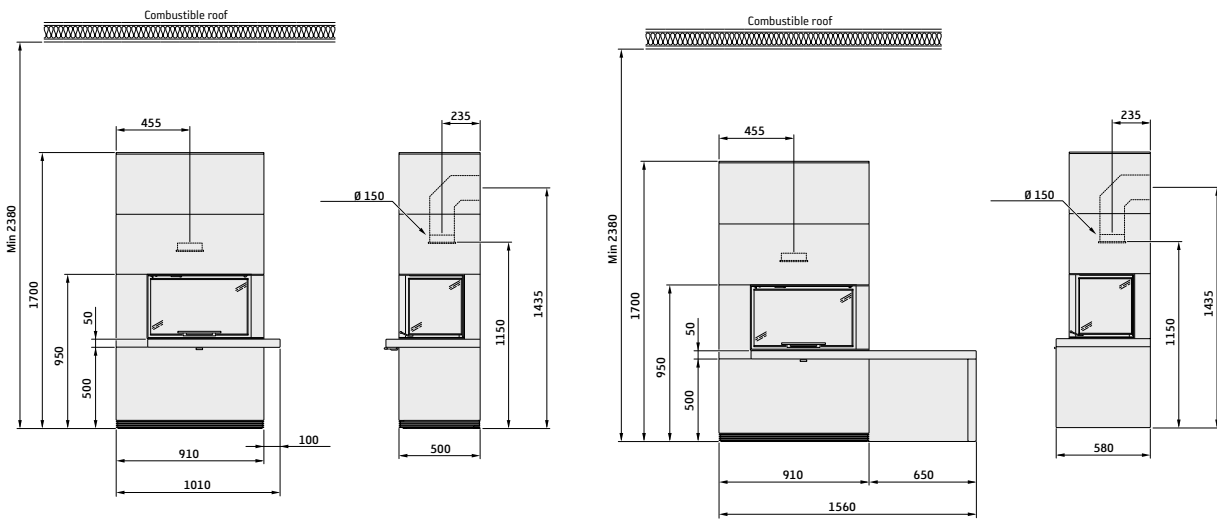


i41 without shelves and bench

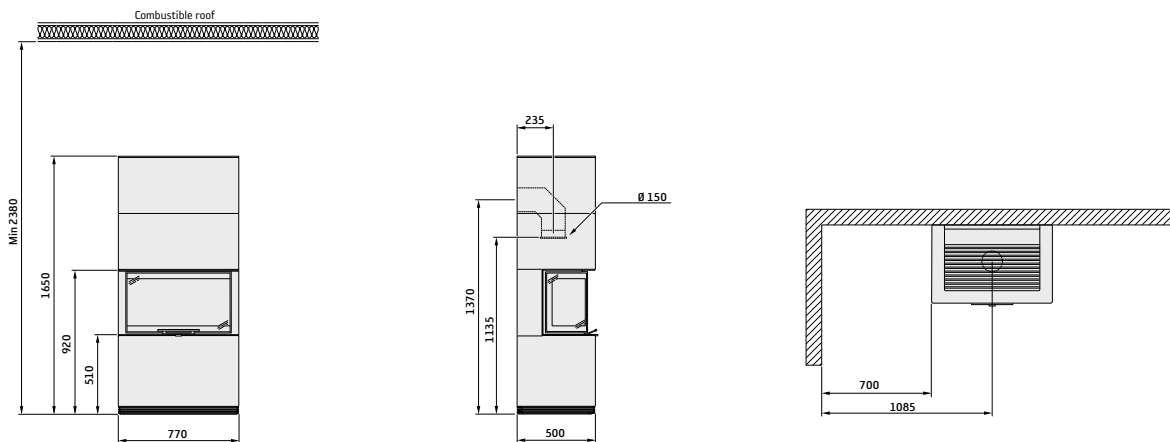


i41 with shelves

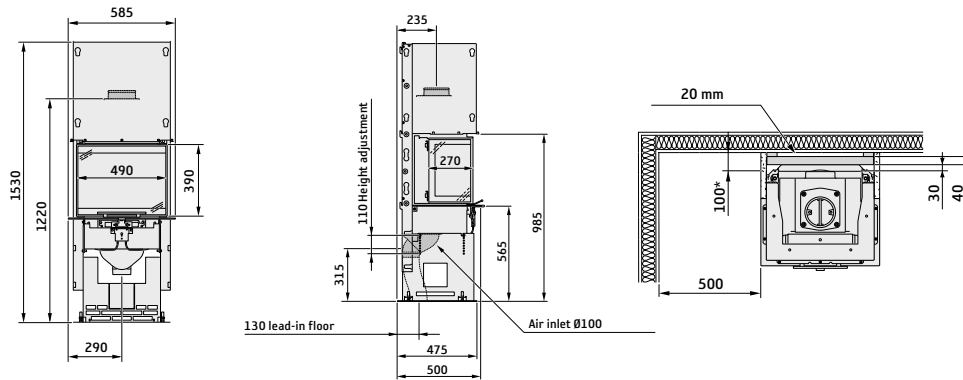
i41 with bench



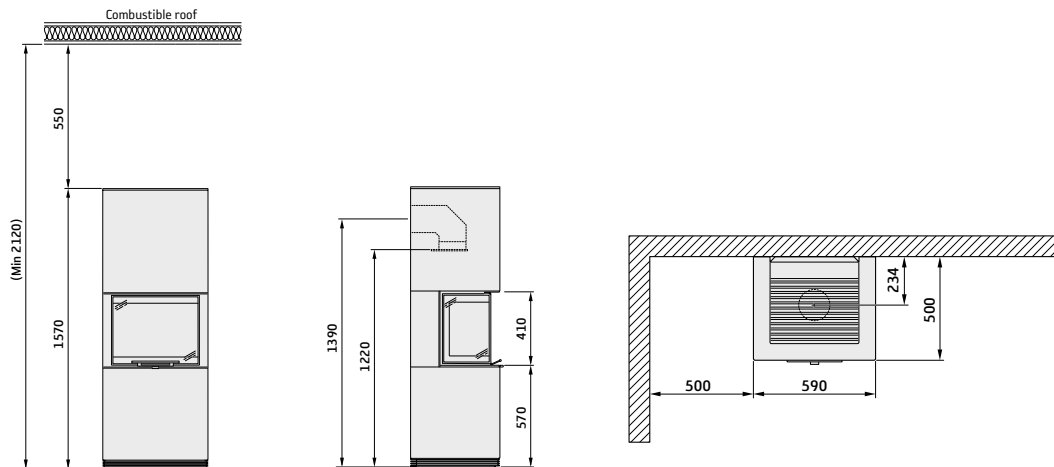
i51 all models



i60



i61 all models



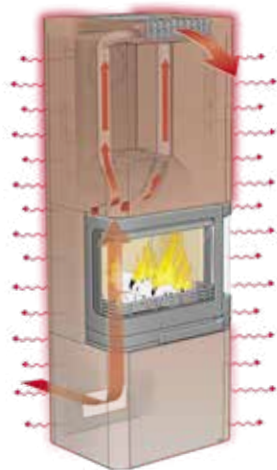
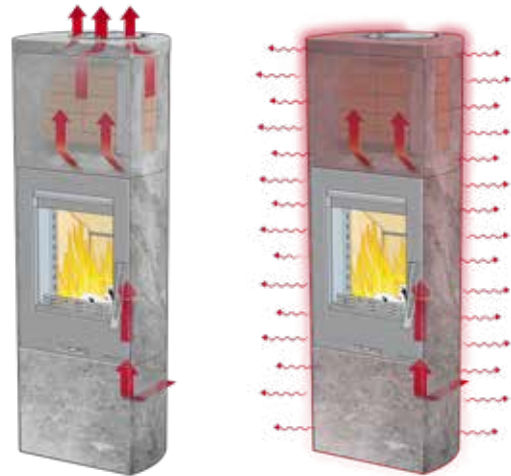
Maximise the heat with your Contura

The heat tank and hot air damper offer excellent solutions that give more heat for longer.

Heat tank with Powerstone

Powerstone is a stone with excellent heat retention properties. It provides heat long after the fire has gone out. For example, the cooling period is up to 18 hours for Contura 26T with extra heat tank.

Heat tank is available for Contura 26K, 26T, 34T, 35T, 590T Style, 596 Style, 596T Style, 600 Style series, 890 Style, 896 Style, i31, i41, i51, and i61.



Adjustable damper

The adjustable damper in Contura 26 enables you to regulate the amount of heated air from the stove. Adjustable damper is provided with Contura Style models 590T, 596, 596T, 620, 690, 690AG, 690T, 790K, 790T, 26K, 26T, 34T and 35T when a heat tank is selected. A closed damper gives a long cooling down period. An open damper distributes the heat more quickly, which is good when you want to heat a room up quickly.

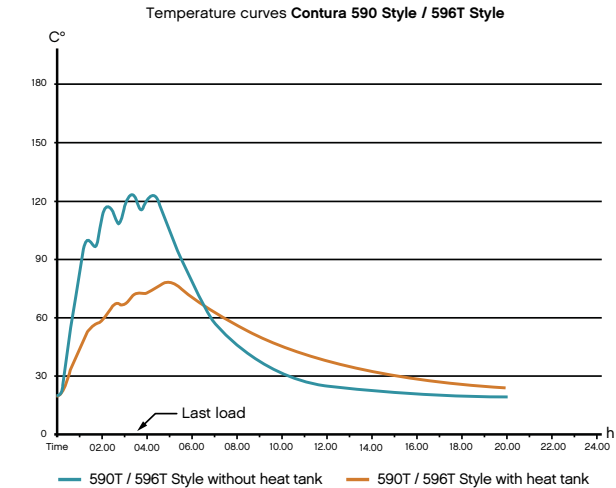
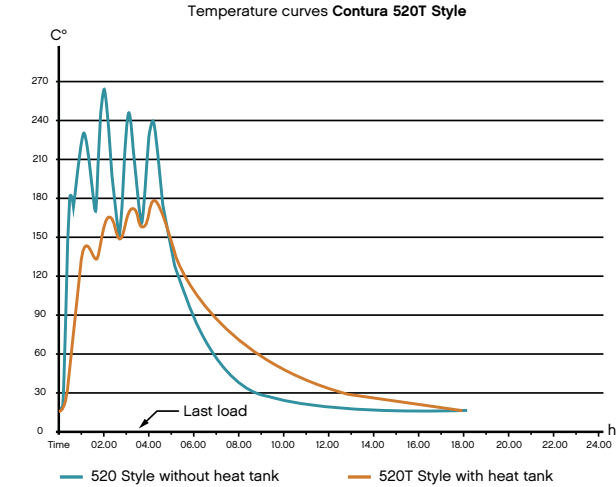
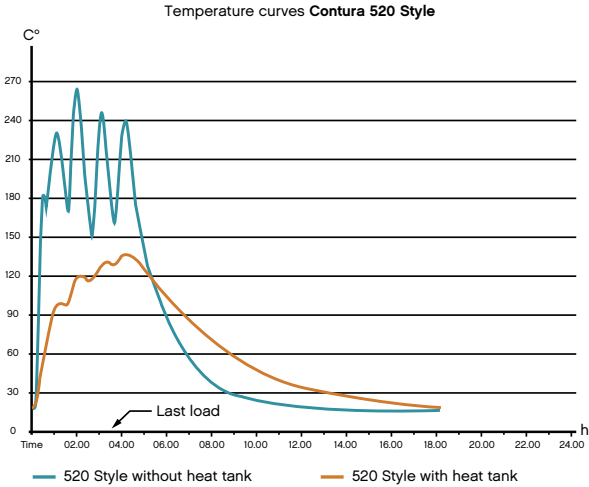


Dual air system regulates heating and cooling

With two efficient heating systems Contura 26 stoves have a fantastic ability to both control the heat distribution and the cooling down period. The red arrows indicate how cold air is drawn into the rear of the stove, continues through two pipes in the firebox, passes through metal hoses and is distributed into the room at the top of the front side of the stove.

The orange arrows indicate how cold air is drawn in at floor level and heats up between the stove's hot internal parts and the outer tile/soapstone to be spread via the grille.

Contura 520 / 520T Style with heat tank



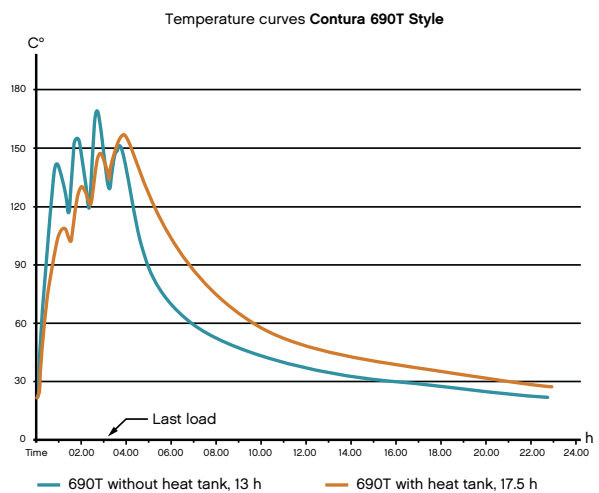
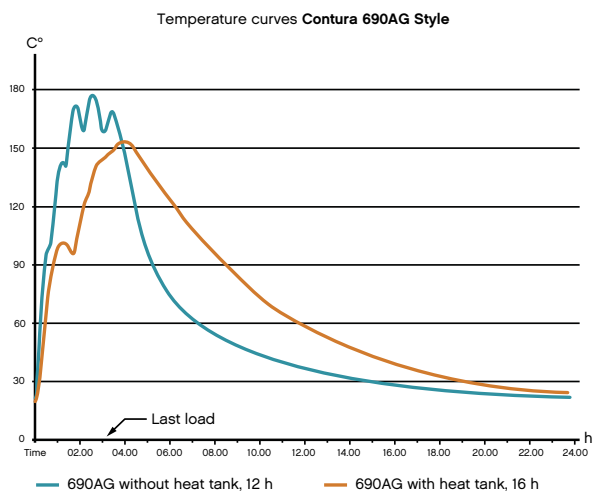
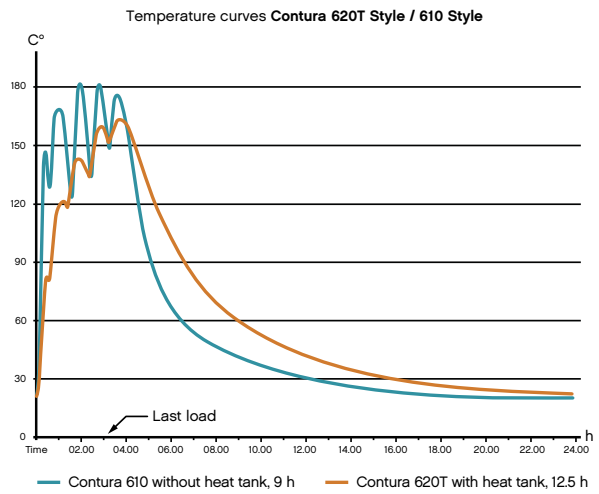
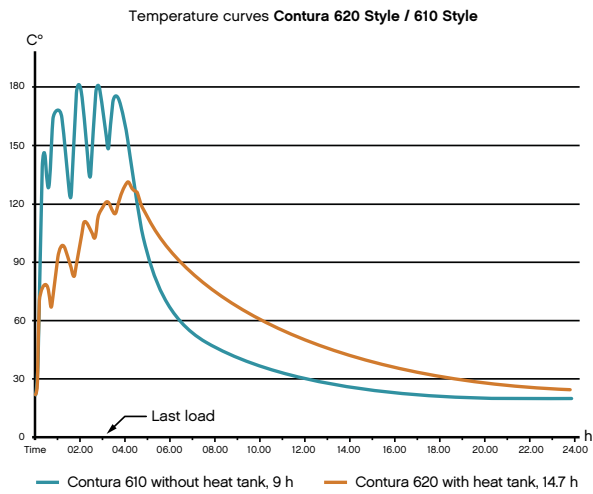
Powerstone heat tank

Several models in the Contura series are available with a heat tank made of heat retaining powerstone. The tank is located under the cover above the firebox of the stove. The excellent heat retaining properties of the stone give up to four hours longer heat retention.



Contura 600 Style with heat tank

The tests of the models with a heat storage compartment in the 600 range comprised one kindling and four stokings. The combustion damper was fully open during the kindling and the first three stokings. After the last stoking, the air supply was reduced to just less than half. The cooling-down time is calculated from the last stoking until the outer temperature of the heat storage compartment (measured on the cover) has fallen to 30°. The tests were performed six times on six different days.

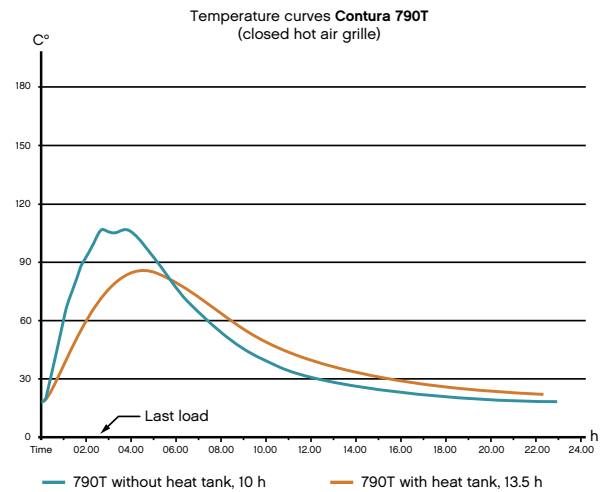
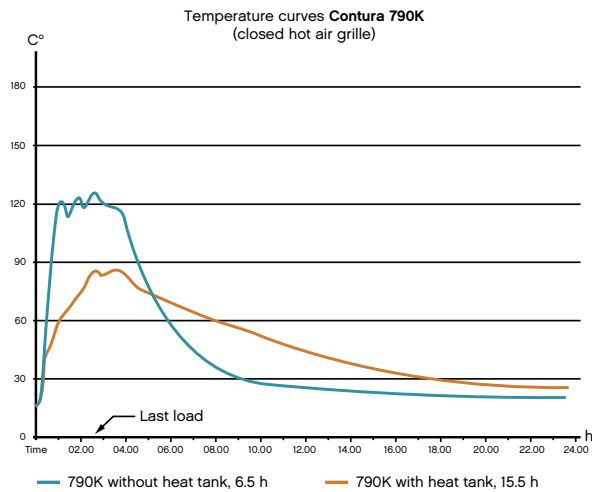


Contura 790 with heat tank

Contura 790 (see page 88) is available with a heat tank made of heat retaining powerstone. The tank is located under the cover above the firebox of the stove. The stone's excellent heat retaining properties give even heat distribution for a long time. The cooling period is up to 15 hours, with the damper closed. On some models, there is an adjustable damper that regulates the amount of heated air from the stove out into the room. A closed damper gives a long cooling period, an open damper spreads the hot air in the room quickly.

Cooling graphs for Contura 790

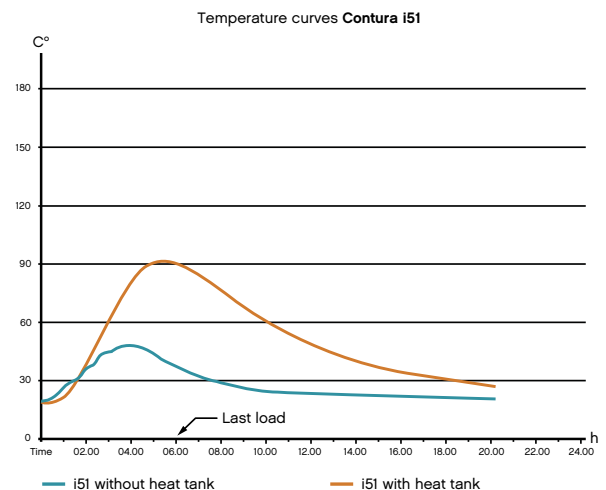
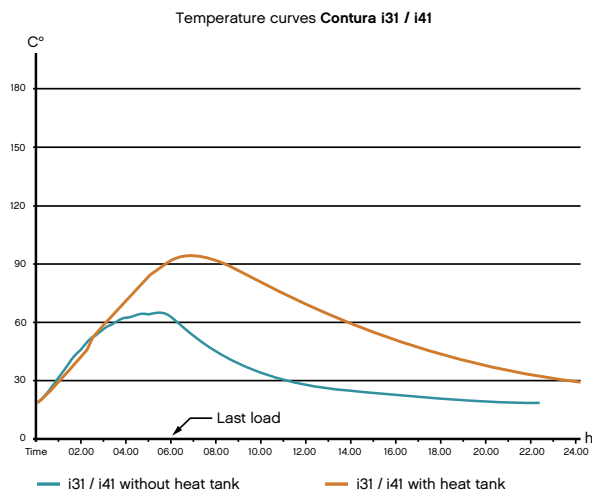
A total of four days of lit fires with four different versions of Contura 790. The tests were carried out with an initial fire and four refuellings. The initial lighting and the first three refuellings were carried out with the combustion damper completely open. After the last refuelling the air supply was restricted to a little under half. The cooling period was counted from the final refuelling until the external temperature of the surround (upper front stone) had reduced to 30 degrees.



Contura i31, i41 and i51 with heat tank

At Contura, we care about testing function and efficiency. The curves show the heat up of the stone cladding (upper front) as well as the power stone

during six hours of firing. They also show how long it takes until the temperature has dropped to 30°.





The importance of wood

Wood is a biofuel that, when correctly lit, is part of the natural cycle. As a tree grows, it consumes water and carbon dioxide in photosynthesis. This process releases oxygen, which we need to breathe. When the wood is burnt or decomposes it releases the water and the carbon dioxide. The oxygen that is created when the tree grew is also consumed in the process. All this takes place in a cycle, which means that burning wood does not contribute to the greenhouse effect.

Logs are best stored in a woodshed with good air circulation. It is important that the wood does not lie on the ground and that it is as airy as possible at the roof and sides. Logs that have been split early in the spring can in the best case be used the following winter. But it is better if the wood can dry for two spring seasons because wood dries best in the spring before the leaves bloom. Damp wood burns poorly, gives off less heat and is worse for the environment. Logs to be burnt should not contain more than 20% moisture content. Kiln dried logs and those branded 'ready to burn' are guaranteed to fulfil this requirement.

Split logs dry quicker than unsplit. Birch logs must be split as quickly as possible, otherwise they become hard and difficult to work with. Pine and fir trees are easier to split if they have been allowed to dry a little. The logs should be stored at room temperature for 24 hours before burning.

Covering the logs with a tarpaulin for example is not a good idea because the moisture from the ground and the wood cannot then evaporate. Damp wood is more susceptible to rot, which quickly consumes the energy value of the wood.

Never burn painted wood, impregnated timber, plywood or similar. It can damage the fireplace and the environment. Oak logs are excellent for burning but it is important to mix them with other wood when burning. Oak contains a lot of energy, but also a lot of tannin which is aggressive to both the stove and masonry.





Light green for a better environment

Making the stove responsible for part of your heating costs is wise from both an environmental and financial point of view. If you light correctly it is a cheap heating method and kind to the environment. Cosiness is included in the price!

Modern wood firing technology is an environmentally friendly energy form, which does not contribute to the greenhouse effect. Complete combustion of wood produces carbon dioxide, water vapour and ash that can be used as garden fertiliser. Complete combustion also gives better heating economy, which is itself environmentally friendly. But in order for the fire to have the best possible effect and contribute to as clean an environment as possible, it is important to fire correctly. Here are some basic tips. See the instruction films and read more at contura.eu

Six hot tips for greener and more efficient firing

1. Replace your old stove with a new one if it is more than ten years old. Modern stoves are up to 90% cleaner and 40% more efficient than their predecessors.
2. Always light using dry wood.
3. Let the door stand ajar for at least 10 minutes after lighting the fire (This is not necessary for Contura 600 Style models).
4. Make sure that the fire always has enough oxygen.
5. Do not burn more than the manufacturer recommends, which is normally a max 2–3 kg logs/hour.
6. Always let the wood lie indoors for at least one day before burning. "Deep frozen" wood (–20 degrees) means that the heat recovery will be very poor.





Completely Swedish.

The design and development of Contura stoves takes place in Sweden, as does the assembly of all stove parts. The products are quality controlled before leaving the factory in Markaryd. This gives us full control over the quality in all stages of production. We take care to ensure that Contura products are suitable for the modern home and conditions. We are proud to mark our products Made in Sweden!

A Smålander that heats Europe

Contura stoves are made by NIBE in Markaryd, in Småland. Conserving resources has always been a matter of course in Småland and that is why our manufacturing is modern, lean and efficient. Quality permeates every level of production in our factory, which is the largest and most modern facility for the manufacture of stoves in Europe. Our products are sold throughout Europe and are appreciated for their timeless design, efficiency and high quality.

Contura
NIBE AB
Box 134
SE-285 23 Markaryd
Sweden
contura.eu

NIBE GROUP MEMBER

